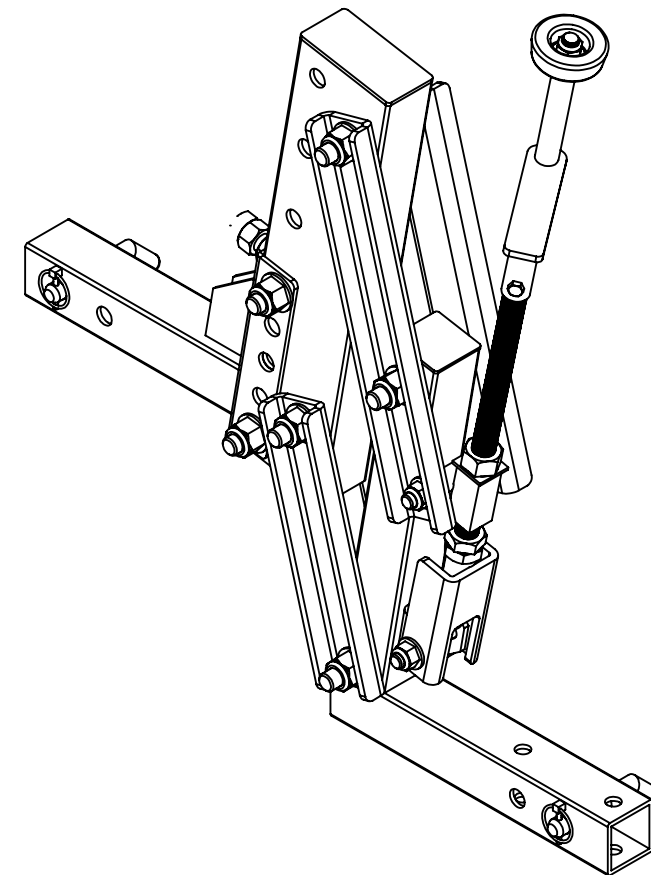
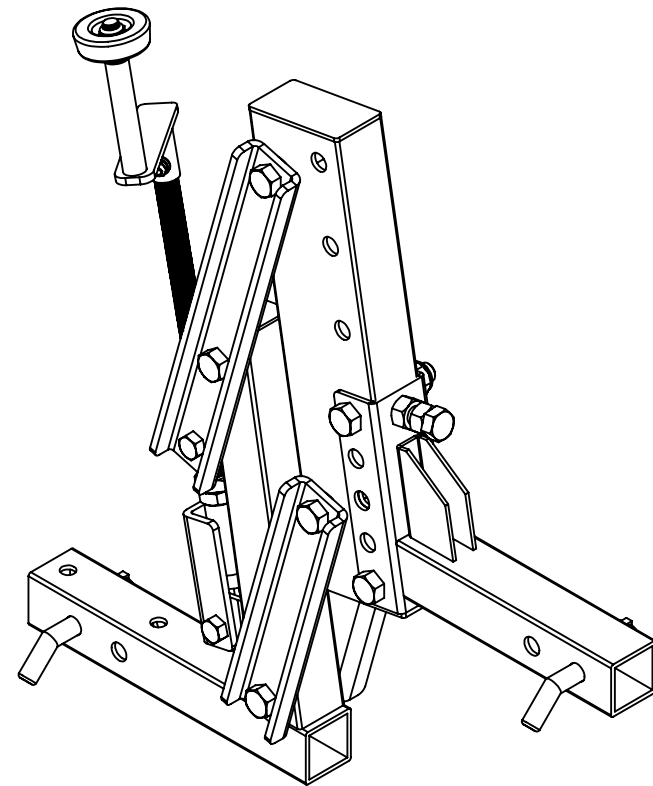




motoalliance

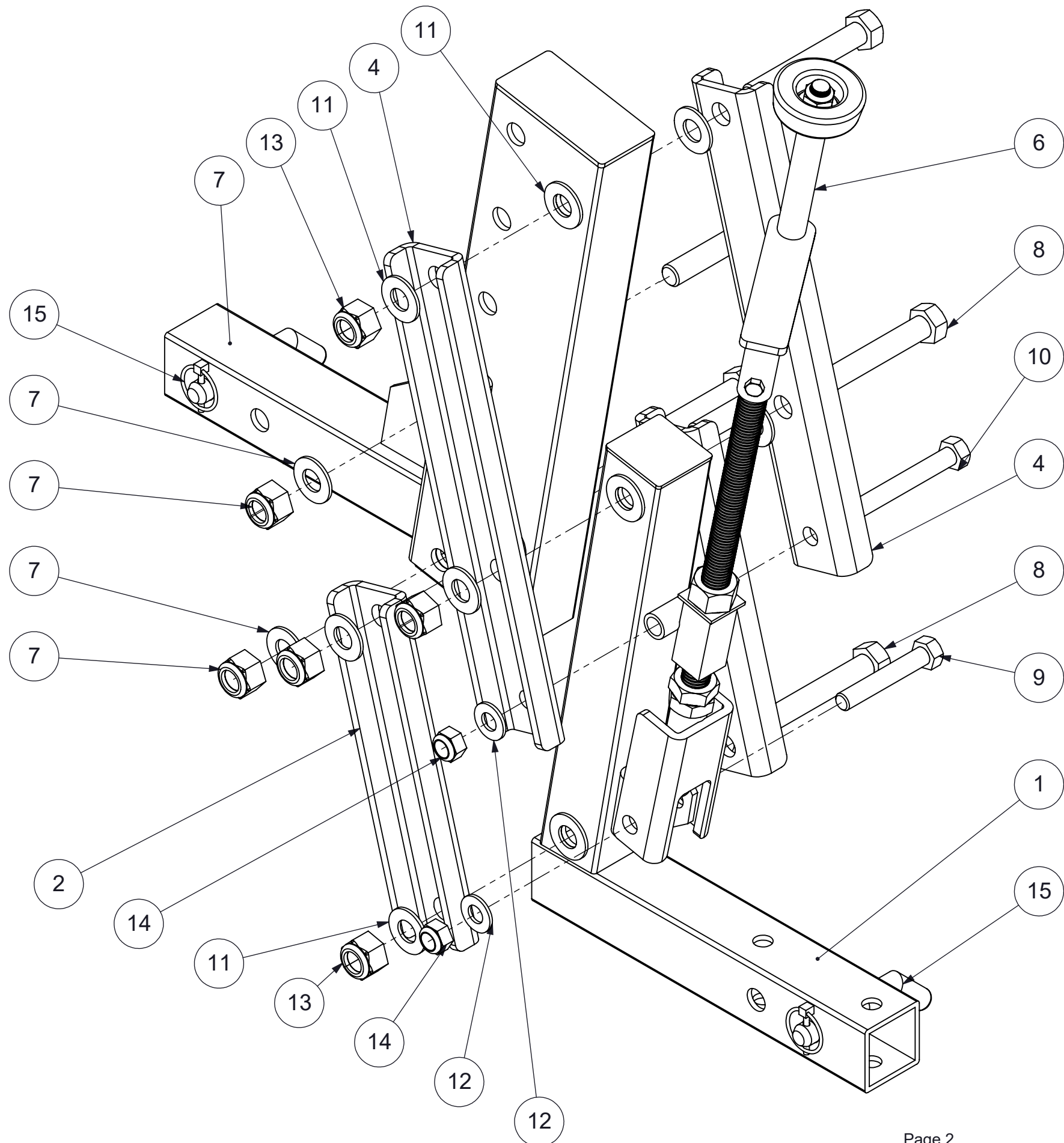
23001 Industrial Blvd, Rogers, MN 55374 / 1-866-527-7637
www.motoalliance.com - 411@motoalliance.com



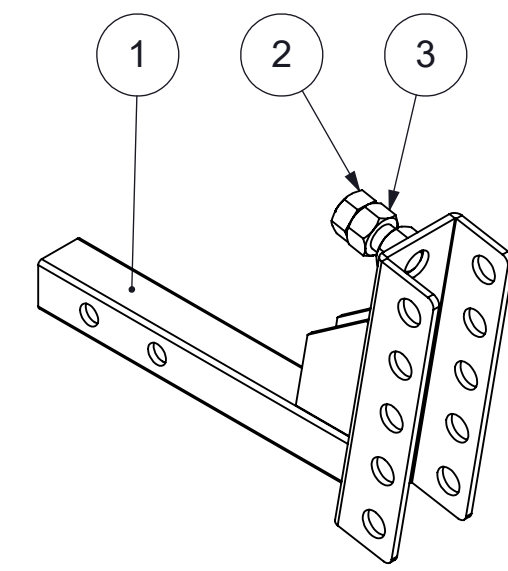
UPC 810541022924

ITEM# IP4431 BK

DESCRIPTION: Impact® Pro - 1 Point Lift System



ITEM NO.	DESCRIPTION	QTY.
1	Main Hitch Frame PRO	1
2	Side Level Plate	2
3	Lift Hitch Tube PRO	1
4	Side Level Plate PRO	2
5	Sliding Yoke	1
6	Handle Assembly	1
7	2" Receiver End Adapter	1
8	HBOLT 0.6250-11x4x1.5-N	4
9	HBOLT 0.5000-13x3x1.25-N	1
10	HBOLT 0.5000-13x3.5x1.25-N	1
11	Preferred Narrow FW 0.625	12
12	Preferred Narrow FW 0.5	2
13	5/8-11 Nylock Nut	4
14	1/2-13 Nylock Nut	2
15	5/8" Dia. Bent Hitch Pin / Snap Clip	2



ITEM NO.	DESCRIPTION	1.25" Receiver Hitch Tube/QTY.
1	1.25" Hitch Tube Extension	1
2	HBOLT 0.6250-11x1.5x1.5-N	1
3	HNUT 0.6250-11-D-N	2