

ATV/UTV PolyTub Cargo Trailer

IP8001

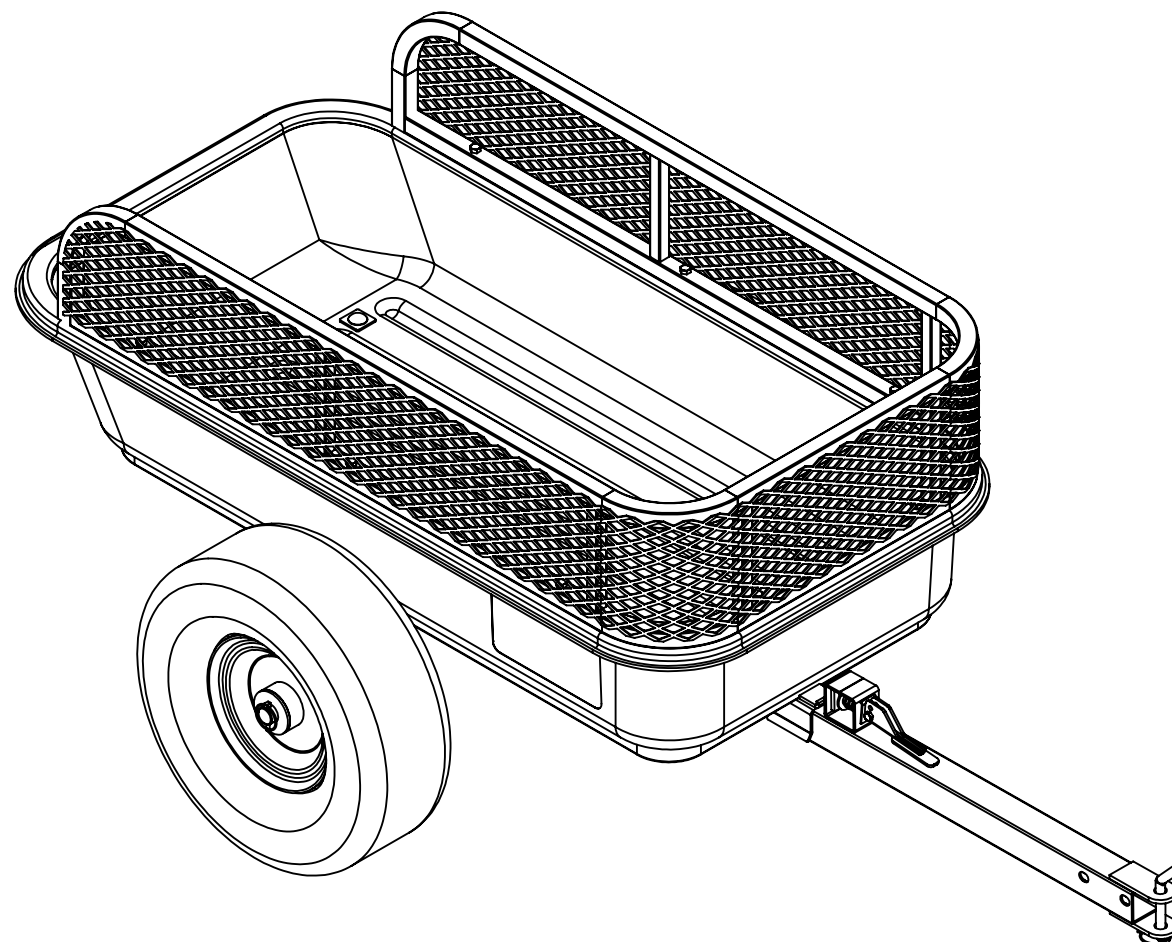
UPC 810541022351



motoalliance

22000 Industrial Blvd, Rogers, MN 55374
www.motoalliance.com

866.527.7637

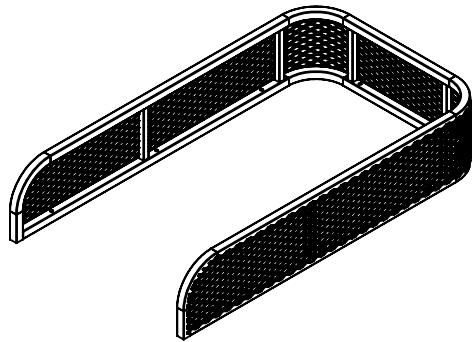


Thank you for purchasing a MotoAlliance ATV/UTV PolyTub Cargo Trailer!
Engineered in the USA, we've paid attention to all of the fine details for an easy install.
We believe you now have a trailer that will last you for years to come.
Please feel free to contact us with any questions.

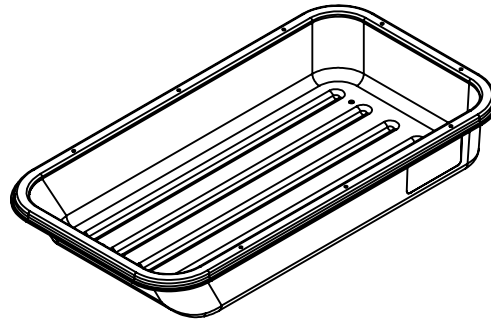
Warning and User Caution

- This is a low speed, Off-Road trailer and is **not intended for road use.**
- Do not tow trailer in excess of 10mph.
- Never dump the trailer while vehicle is moving.
- Before each use, inspect trailer for damage and check that all nuts & bolts are tightened.
- Inflate tires to the correct air pressure to reduce unnecessary wear and/or damage.
- Air pressure requirements can be located on sidewall of each tire.
- Use caution when driving on uneven terrain.
- Excessive weight can cause weight shifts which can lead to loss of control of your machine and/or trailer.
- Distribute weight evenly across the trailer bed and do not exceed the hauling capacity of the trailer.
- Never haul cargo that exceeds your vehicle's towing capacity.
- Serious injury or death could result from riding in a moving trailer.
- Never allow people or animals to ride on any part of the trailer.
- Use caution near trailer tilt latch.
- Releasing the latch on a heavy load can cause the trailer to tip up abruptly and cause injury.
- Be sure latch is engaged before each use.
- When using a coupler, be sure coupler load capacity is the same or less than ball load capacity.
- Make sure hitch and trailer ball are the same size.

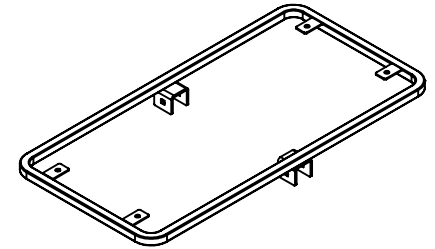
STEP 1- Verify all parts are accounted for.



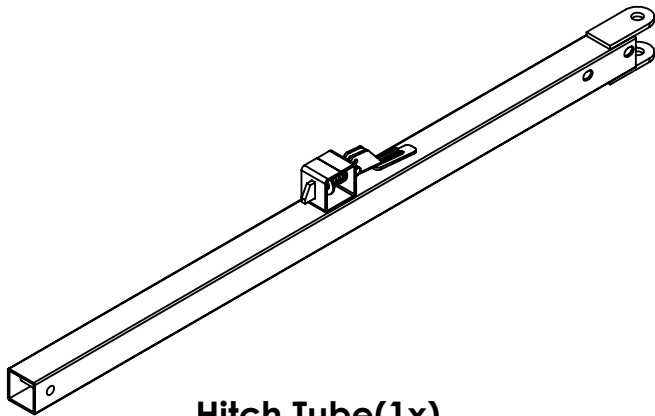
Trailer Rails (1x)



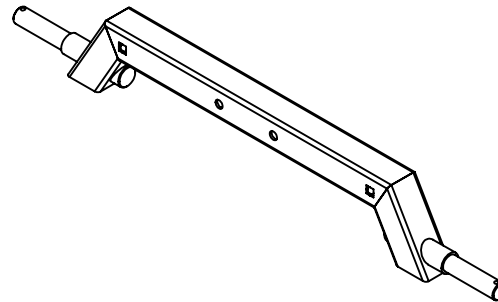
Poly Tub (1x)



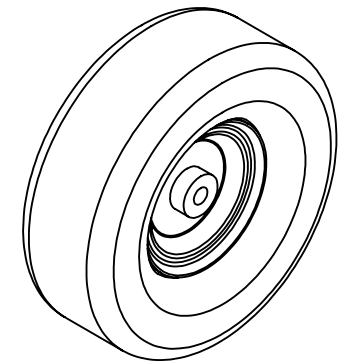
Trailer Frame (1x)



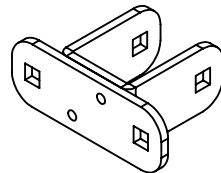
Hitch Tube (1x)



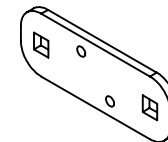
Axle (1x)



Tires (2x)

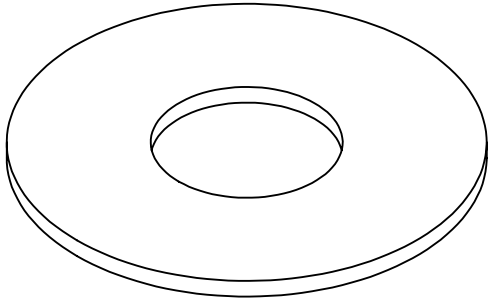


Hitch Mount (1x)

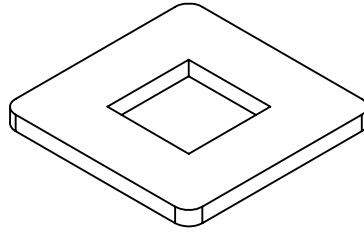


Hitch Mount Backing Plate (1x)

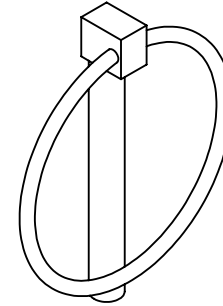
STEP 1- Verify all parts are accounted for.



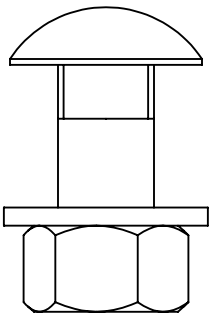
Wheel Washer (4x)



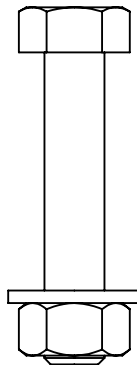
Tub Washer (4x)



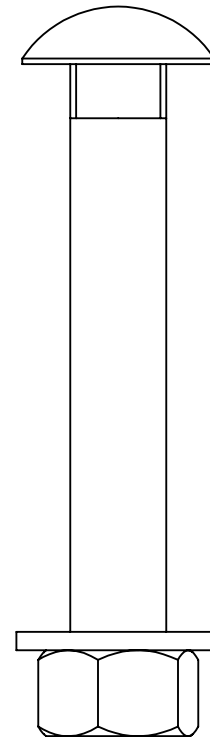
Lynch Pin (3x)



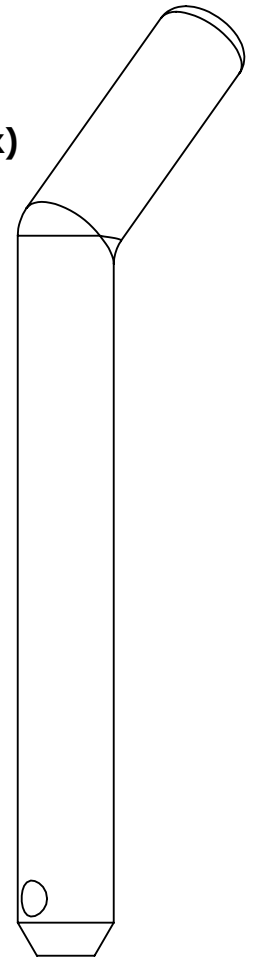
1/2" x 1.25" Hardware (4x)



5/16" x 1.625" Hardware (8x)



1/2" x 3.5" Hardware (5x)

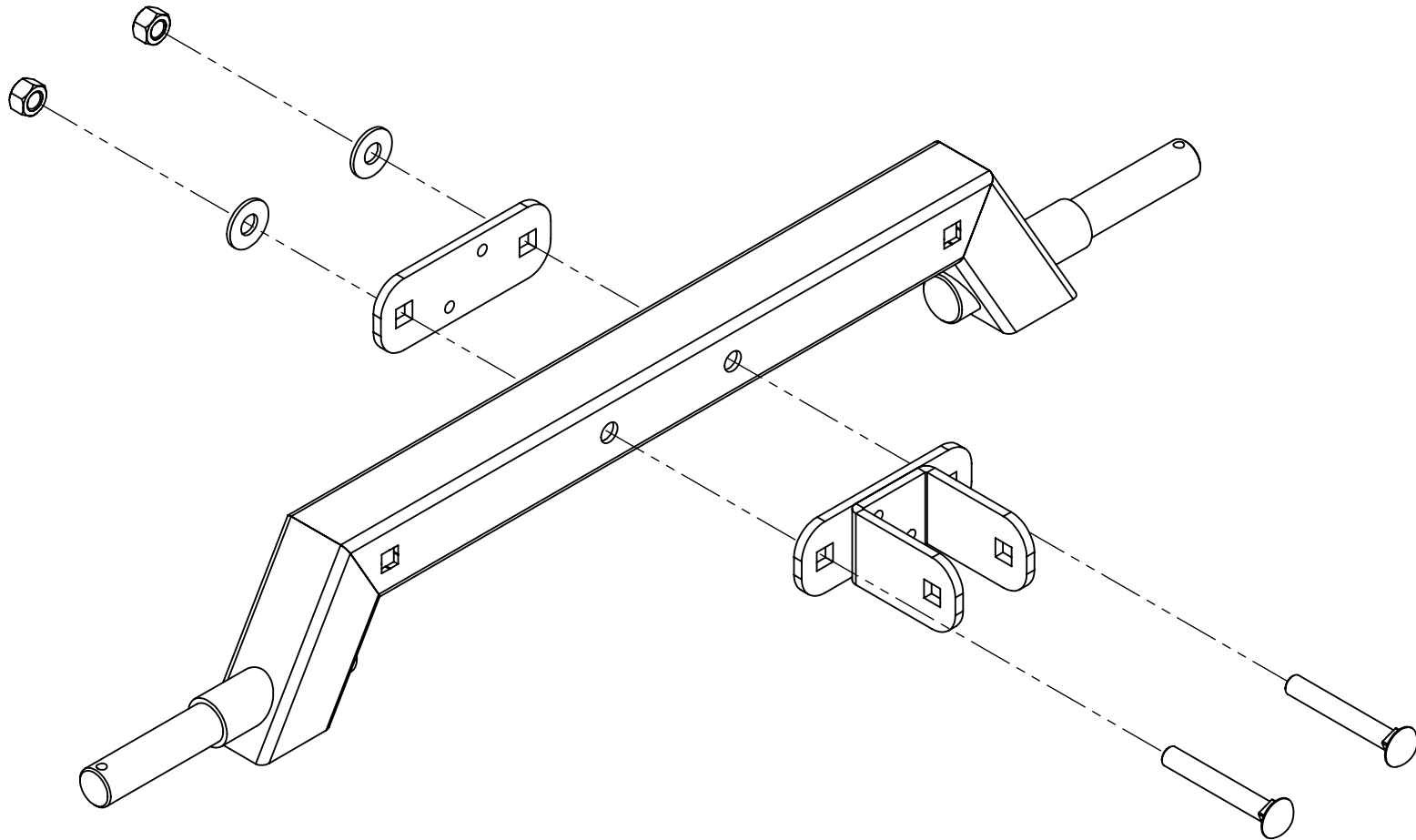


Hitch Pin (1x)

STEP 2 - Assemble Axle to Hitch Mount

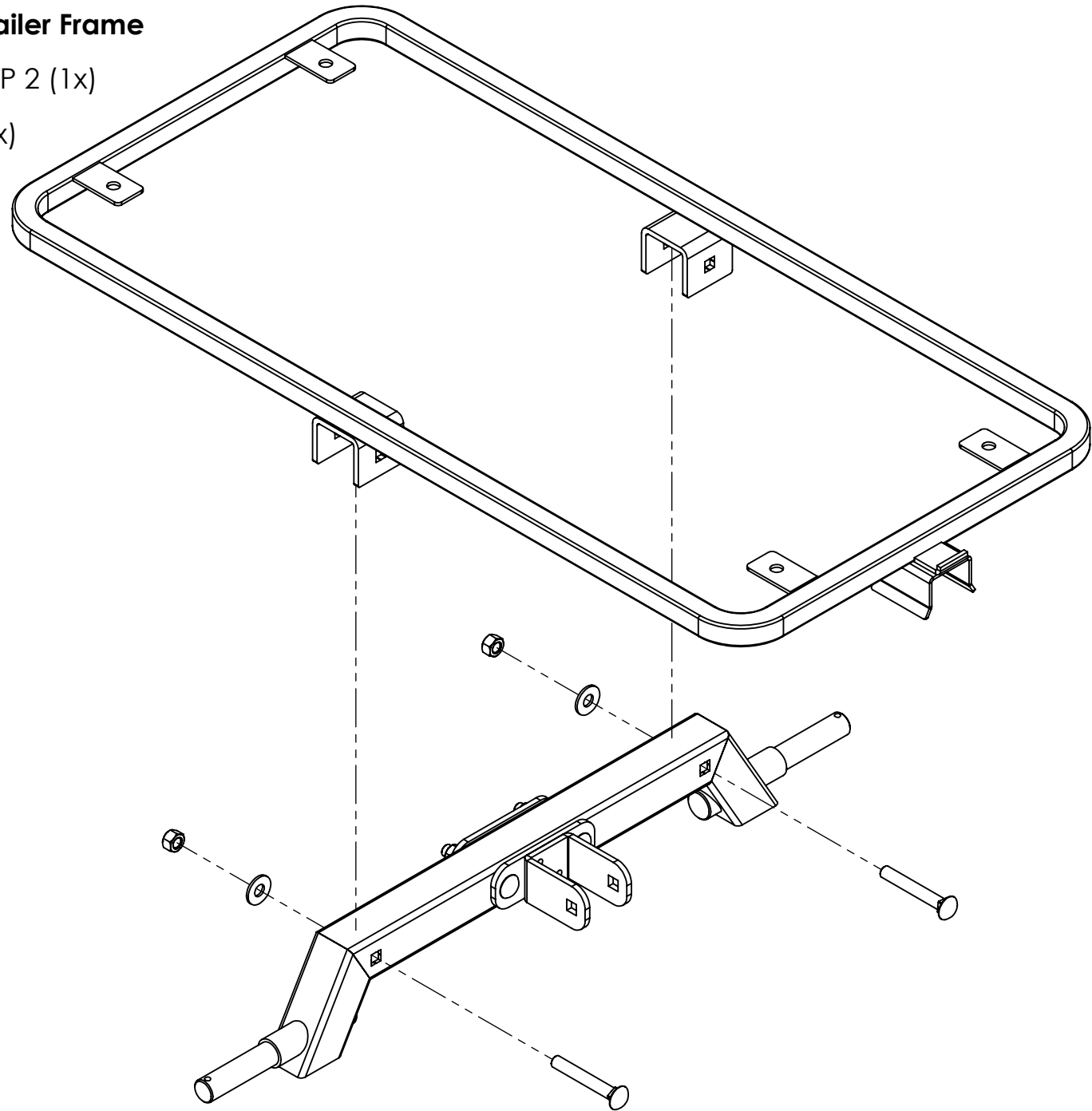
-Gather the following parts:

- Axle (1x)
- Hitch Mount (1x)
- Hitch Mount Backing Plate (1x)
- 1/2" x 3.5" Hardware (2x)



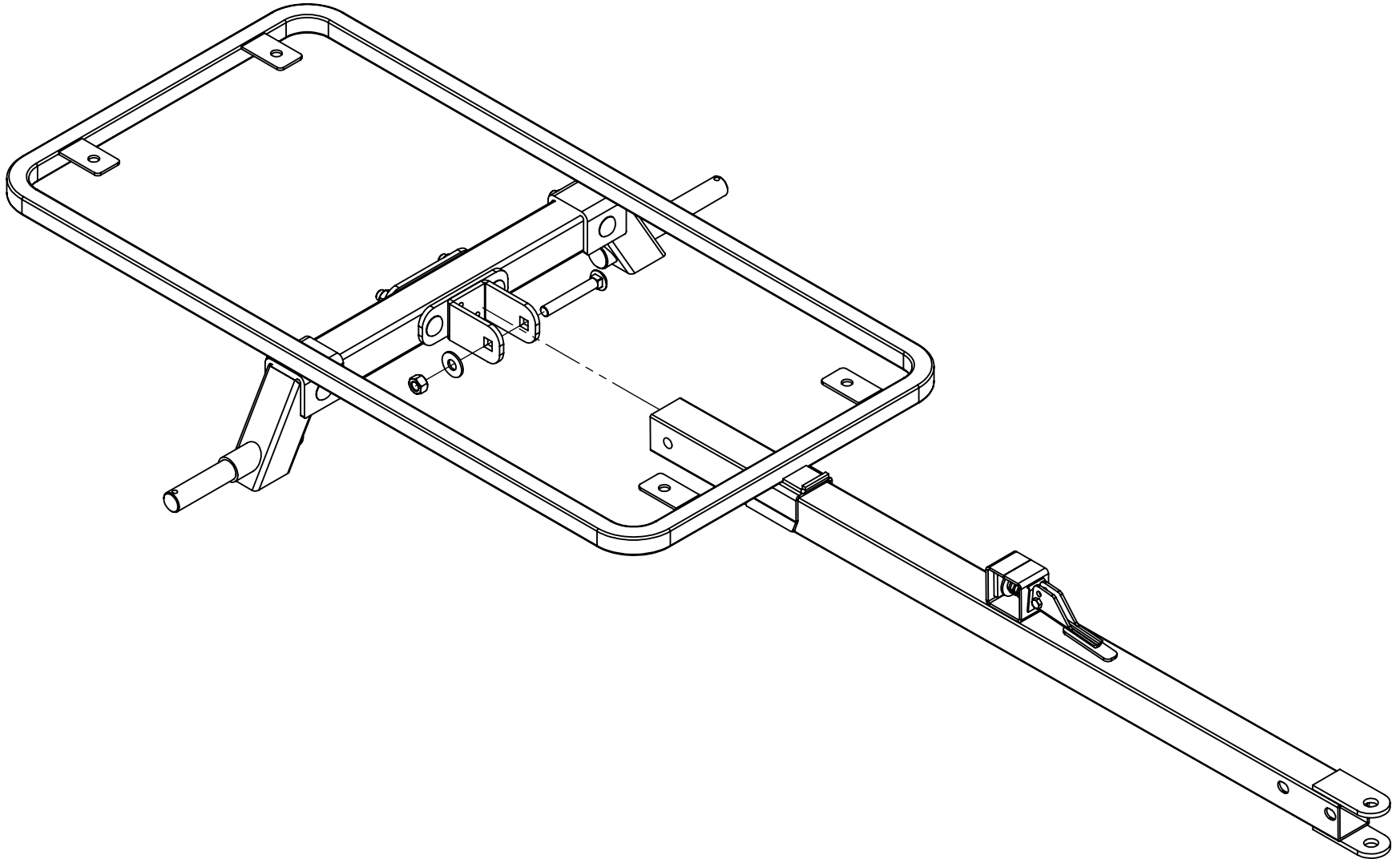
STEP 3 - Assemble Axle to Trailer Frame

- Gather the following parts:
 - Axle Assembly from STEP 2 (1x)
 - Trailer Frame (1x)
 - 1/2" x 3.5" Hardware (2x)



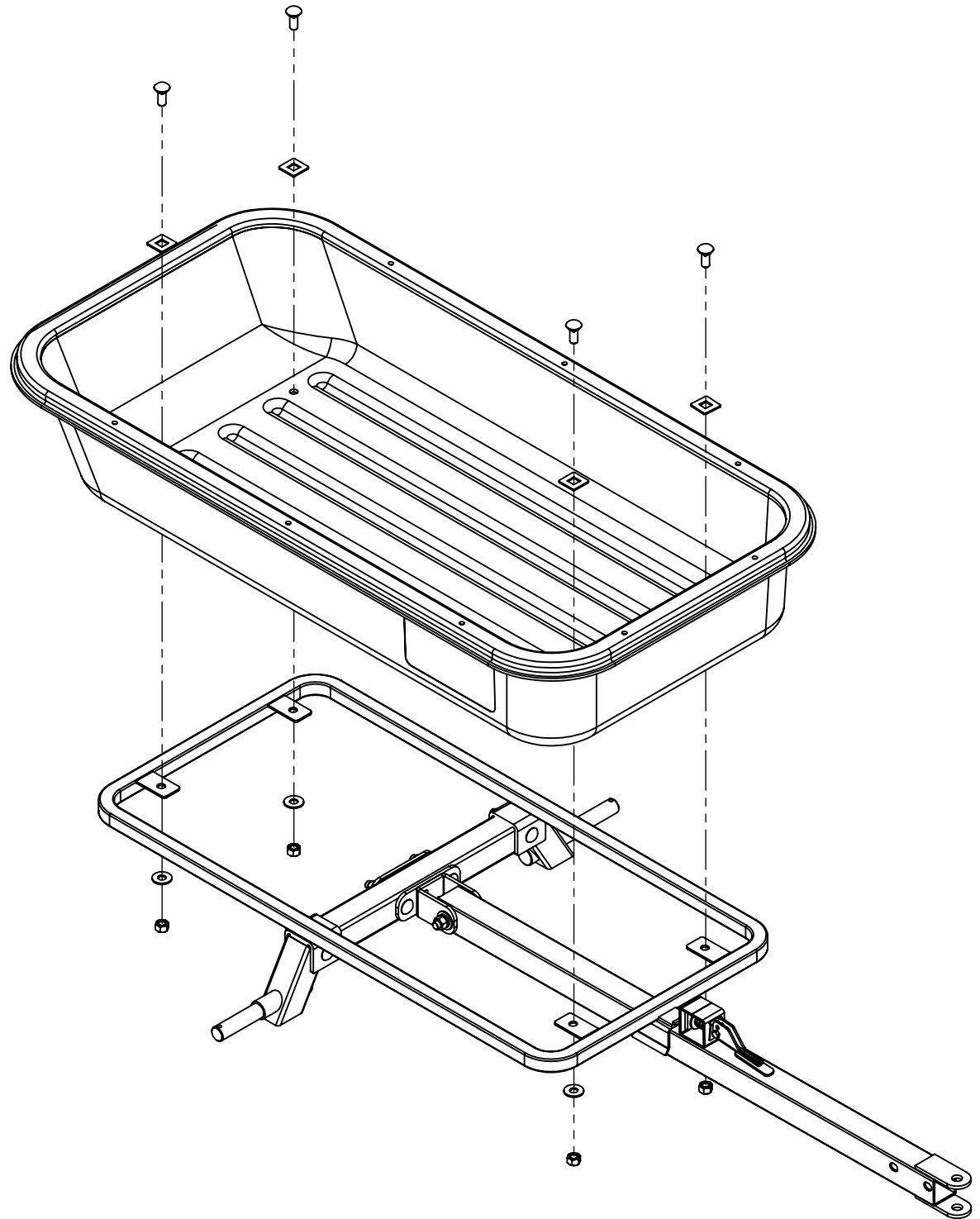
STEP 4 - Assemble Frame to Hitch Tube

- Gather the following parts:
 - Frame Assembly from STEP 3 (1x)
 - Hitch Tube (1x)
 - 1/2" x 3.5" Hardware (1x)



STEP 5 - Assemble Frame to Poly Tub

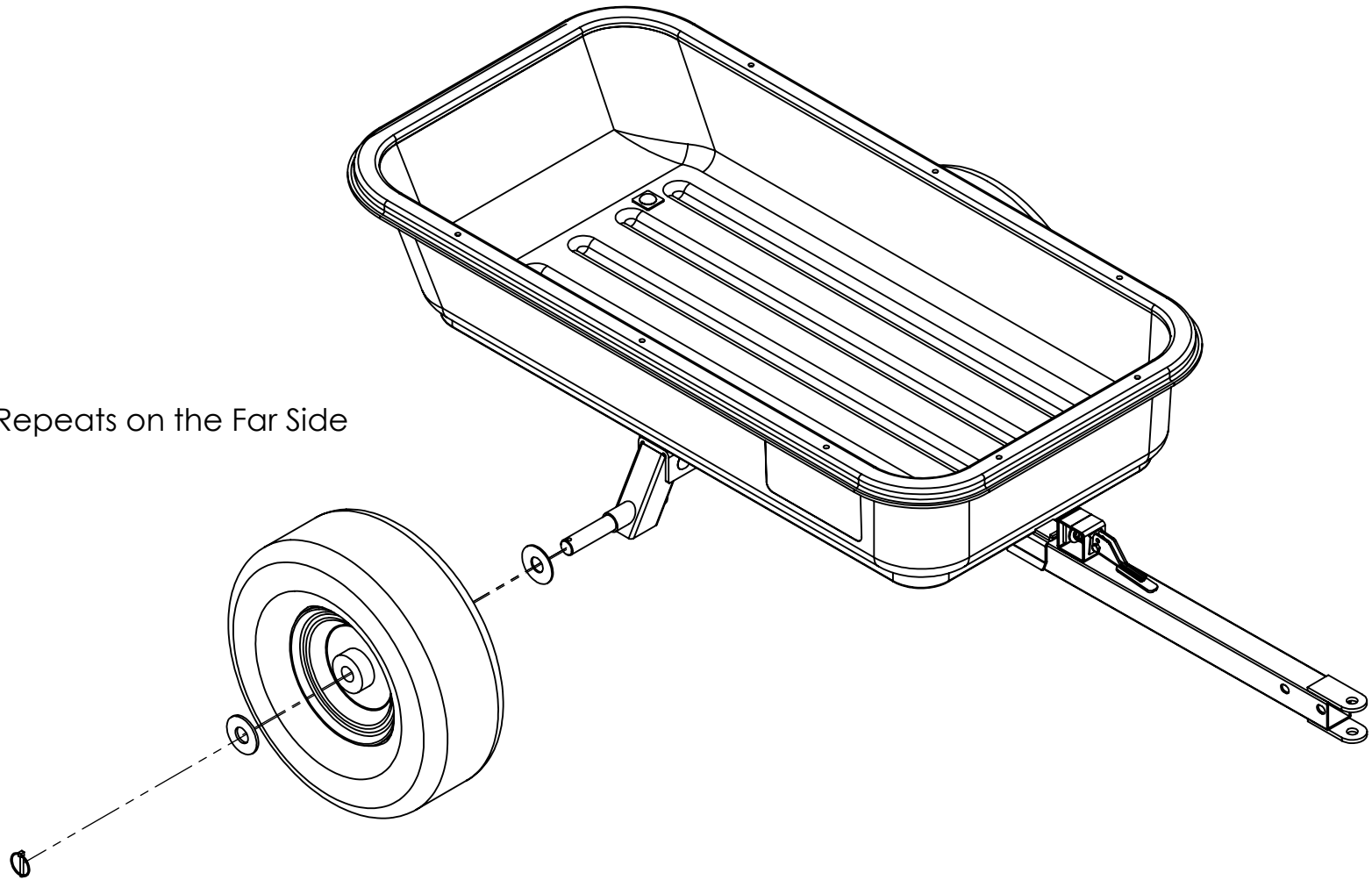
- Gather the following parts:
 - Frame Assembly from STEP 4 (1x)
 - Poly Tub (1x)
 - 1/2" x 1.25" Hardware (4x)
 - Tub Washer (4x)



STEP 6 - Install Tires on Trailer

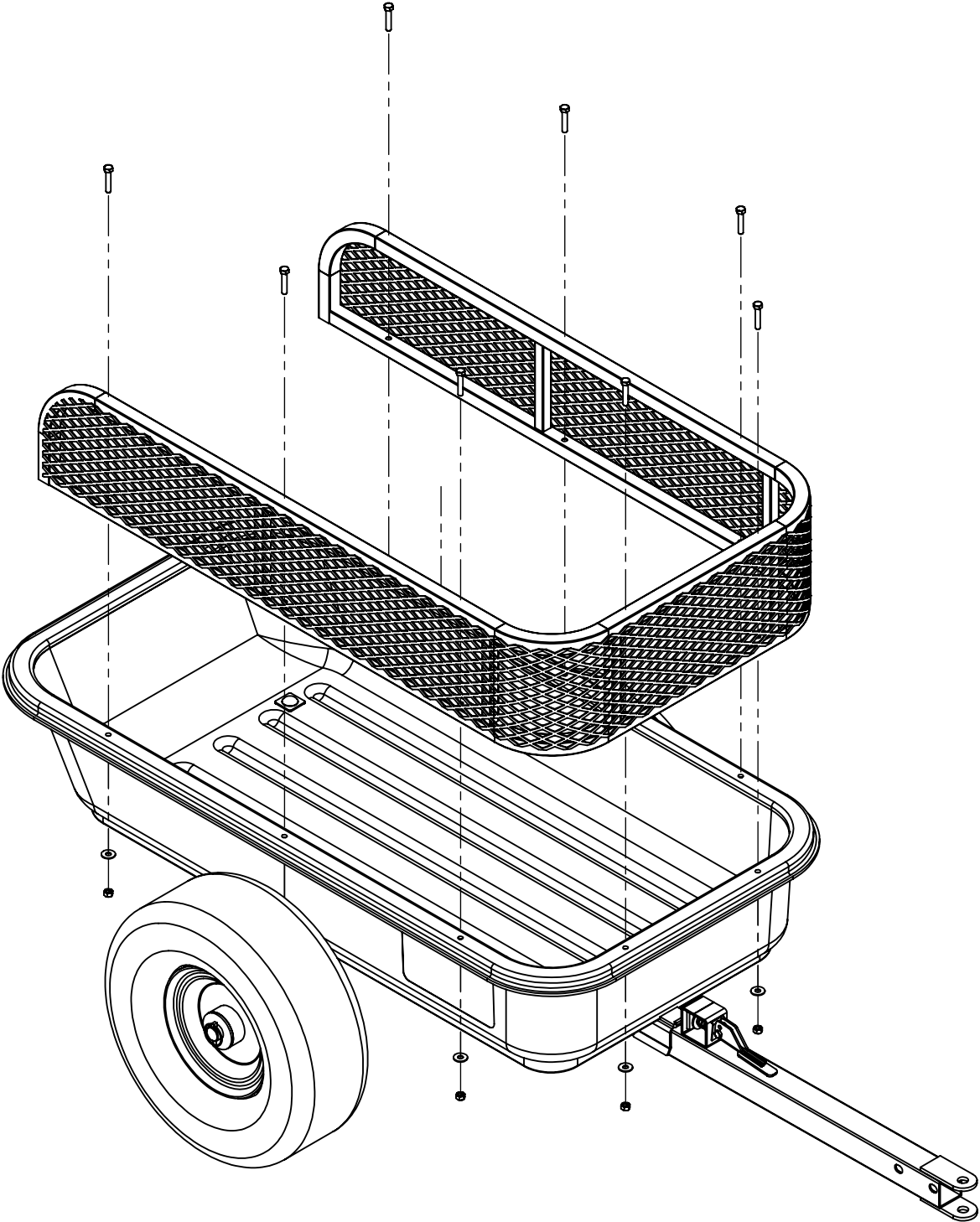
- Gather the following parts:
 - Trailer Assembly from STEP 5 (1x)
 - Tire (2x)
 - Wheel Washer (4x)
 - Lynch Pin (2x)

Note: Step Repeats on the Far Side



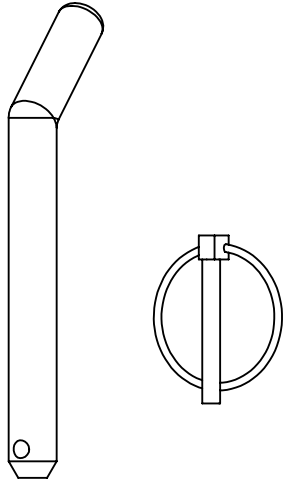
STEP 7 - Install Trailer Rails on Trailer

- Gather the following parts:
 - Trailer Assembly from STEP 6 (1x)
 - Trailer Rails (1x)
 - 5/16" x 1.625" Hardware (8x)



STEP 8 - Attach Trailer to Your Machine

Using the provided hardware



Scan this QR code to see the ball hitch coupler
online at MotoAlliance.com



Using ball hitch coupler available at Motoalliance.com

