



IMPACT
IMPLEMENTS

IMPACT UTILITY TRAILER

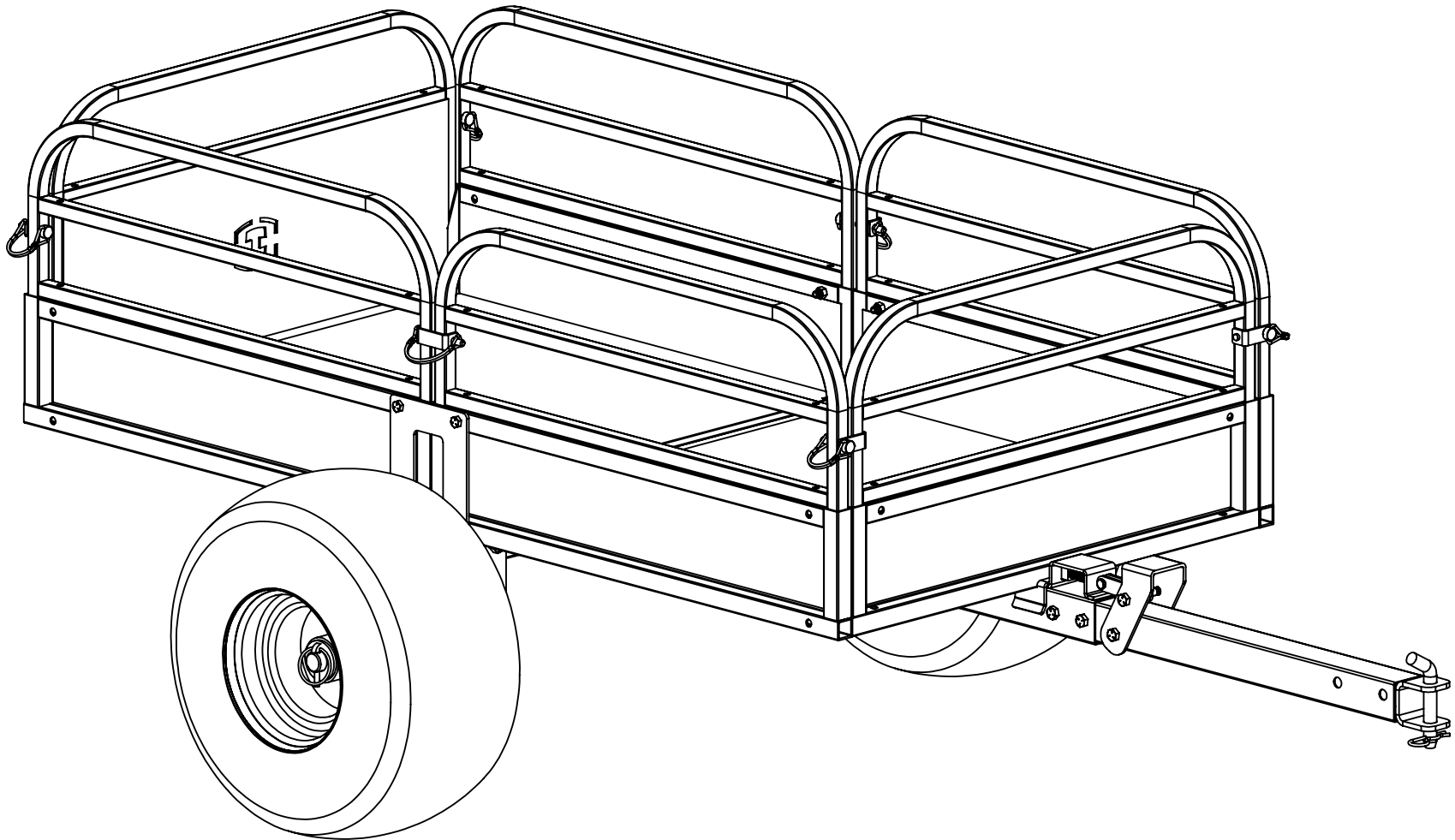
IP8215

UPC 707129292100



motoalliance

22000 Industrial Blvd, Rogers, MN 55374
www.motoalliance.com

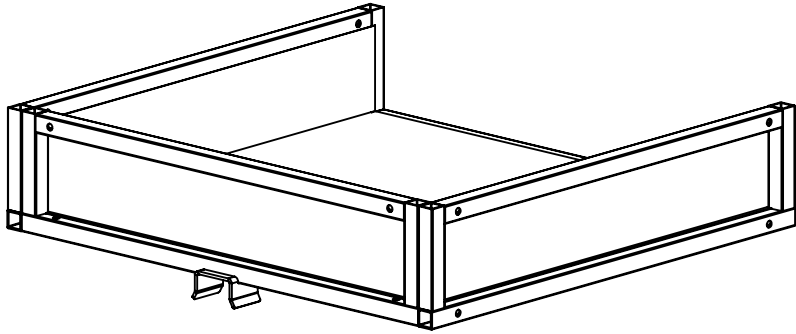


Thank you for purchasing an Impact Implement ATV/UTV Cargo Trailer by MotoAlliance!
Engineered in the USA, we've paid attention to all of the fine details for an easy install.
We believe you now have a trailer that will last you for years to come.
Please feel free to contact us with any questions.

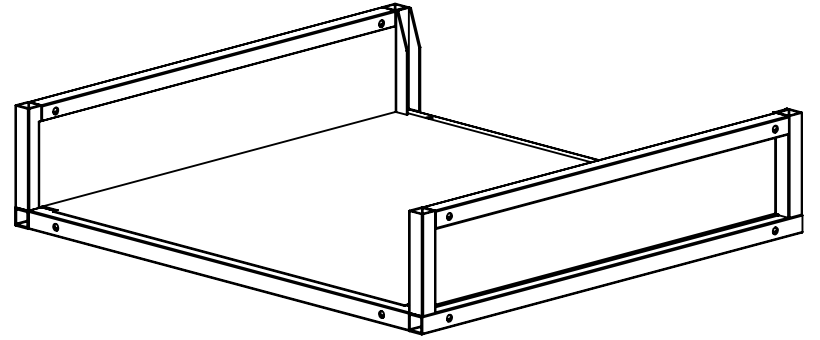
Warning and User Caution

- This is a *low speed, Off-Road* trailer and is **not intended** for road use.
- Do not tow trailer in excess of **10mph**.
- Never dump the trailer while vehicle is moving.
- Before each use, inspect trailer for damage and check that all nuts & bolts are tightened.
- Inflate tires to the correct air pressure to reduce unnecessary wear and/or damage.
- Air pressure requirements can be located on sidewall of each tire.
- Use caution when driving on uneven terrain.
- Excessive weight can cause weight shifts which can lead to loss of control of your machine and/or trailer.
- Distribute weight evenly across the trailer bed and **do not exceed the hauling capacity of the trailer.**
- **Never haul cargo that exceeds your vehicle's towing capacity.**
- Serious injury or death could result from riding in a moving trailer.
- **Never allow people or animals to ride on any part of the trailer.**
- **Use caution near trailer tilt latch.**
- Releasing the latch on a heavy load can cause the trailer to tip up abruptly and cause injury.
- Be sure latch is engaged before each use.
- When using a coupler, be sure coupler load capacity is the same or less than ball load capacity.
- Make sure hitch and trailer ball are the same size.

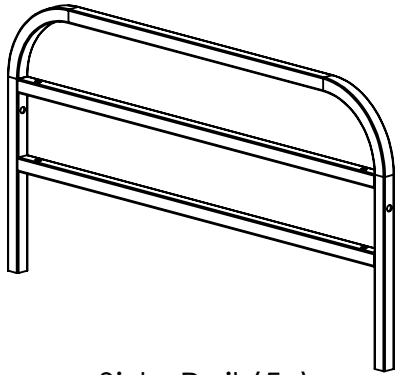
STEP 1 - Verify all parts are accounted for.



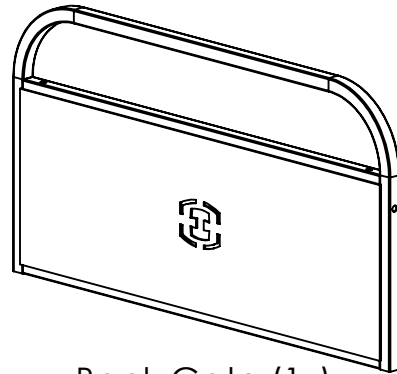
Trailer Front Frame (1x)



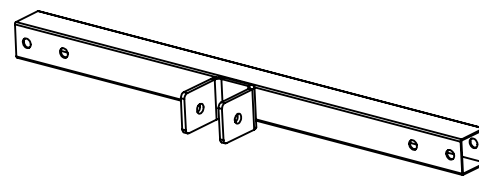
Trailer Back Frame (1x)



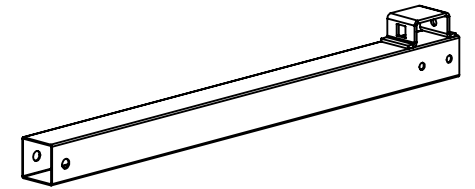
Side Rail (5x)



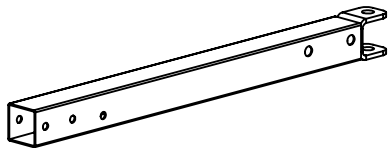
Back Gate (1x)



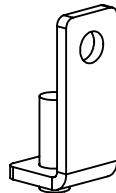
Axle Hitch Mount (1x)



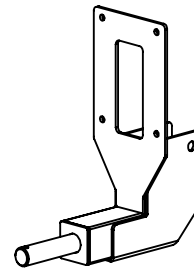
Hitch Arm Receiver (1x)



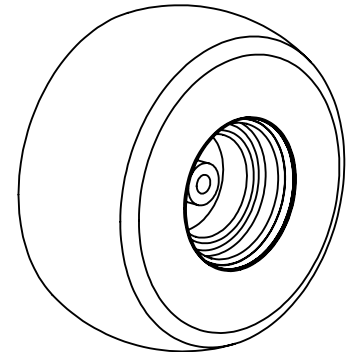
Hitch Arm (1x)



Panel Retainer (4x)

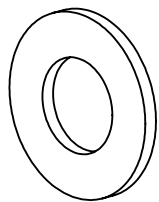


Axle (2x)

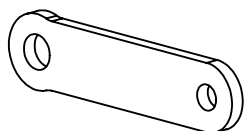


Tire (2x)

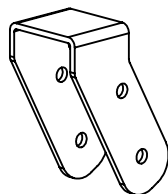
STEP 1 - Verify all parts are accounted for.



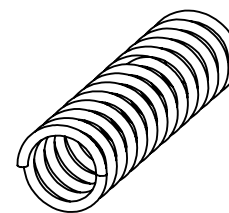
Wheel Washer (2x)



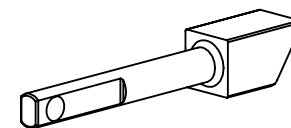
Latch Link (2x)



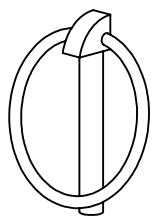
Foot Latch Release (1x)



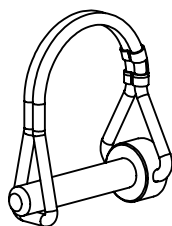
Compression Spring (1x)



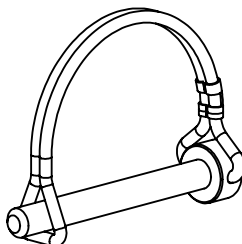
Latch (1x)



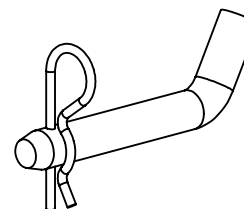
Lynch Pin (2x)



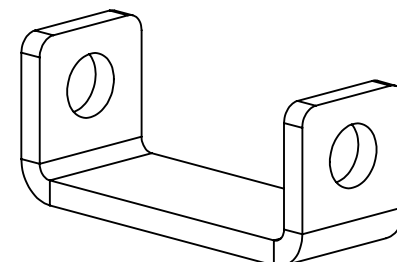
Small Locking Pin (4x)



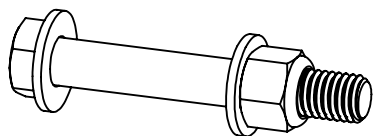
Large Locking Pin (2x)



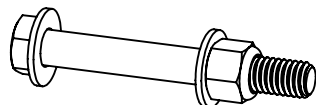
Clevis Pin (1x)



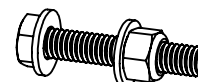
Side Panel Bracket (2x)



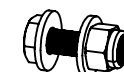
1/2" Hardware (5x)



3/8" Hardware (4x)



5/16" Hardware (8x)



1/4" Hardware (1x)

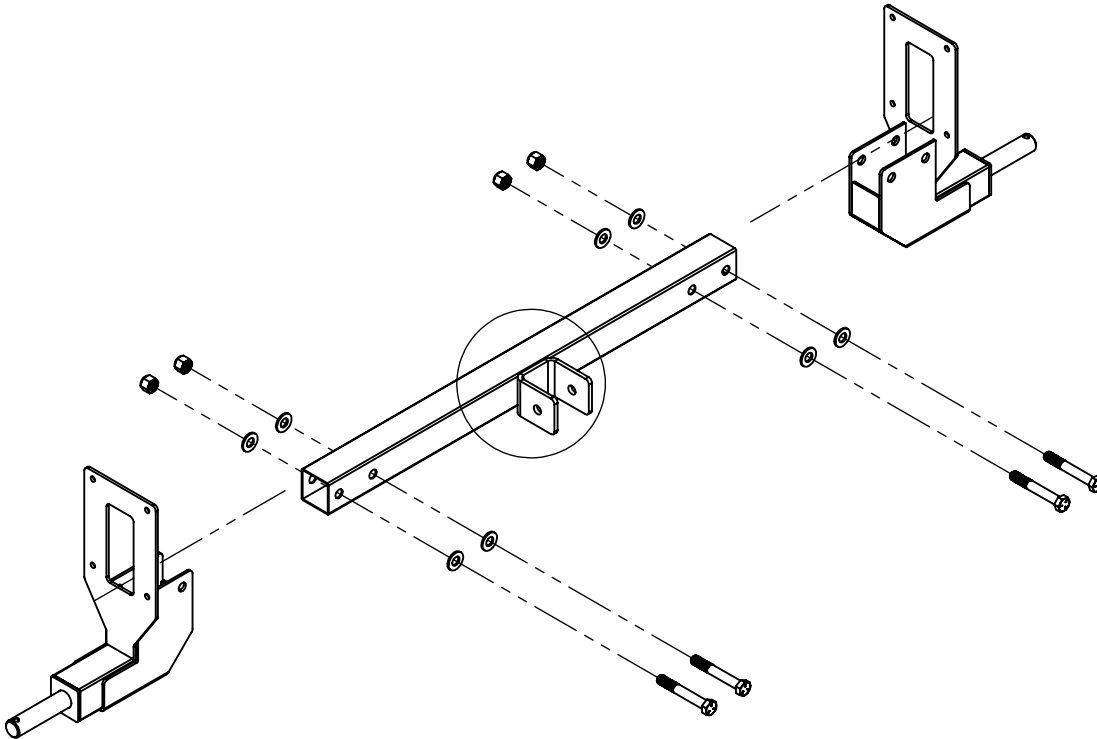
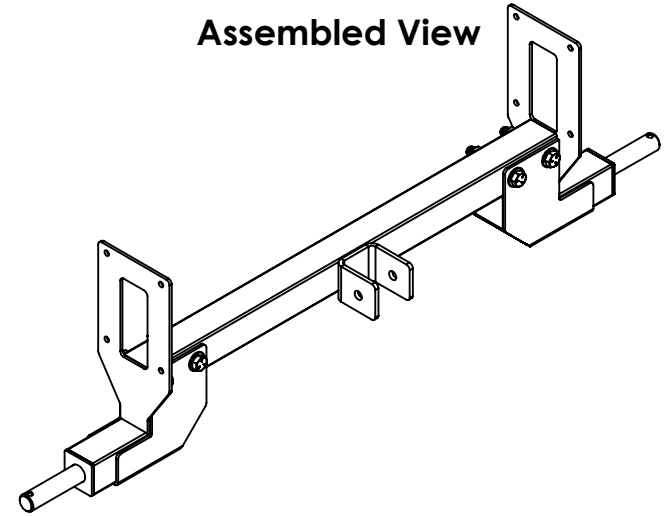
STEP 2 - Assemble Axle

- Gather the following parts:
 - Axle Hitch Mount (1x)
 - Axle (2x)
 - 1/2" Hardware (4x)

Note:

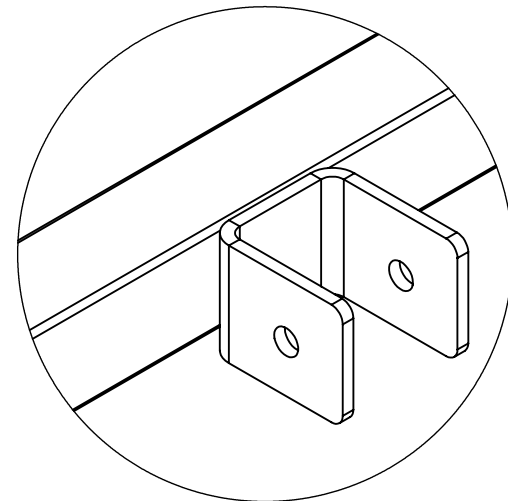
Refrain from fully tightening hardware until fully assembled to ease installation.

Assembled View



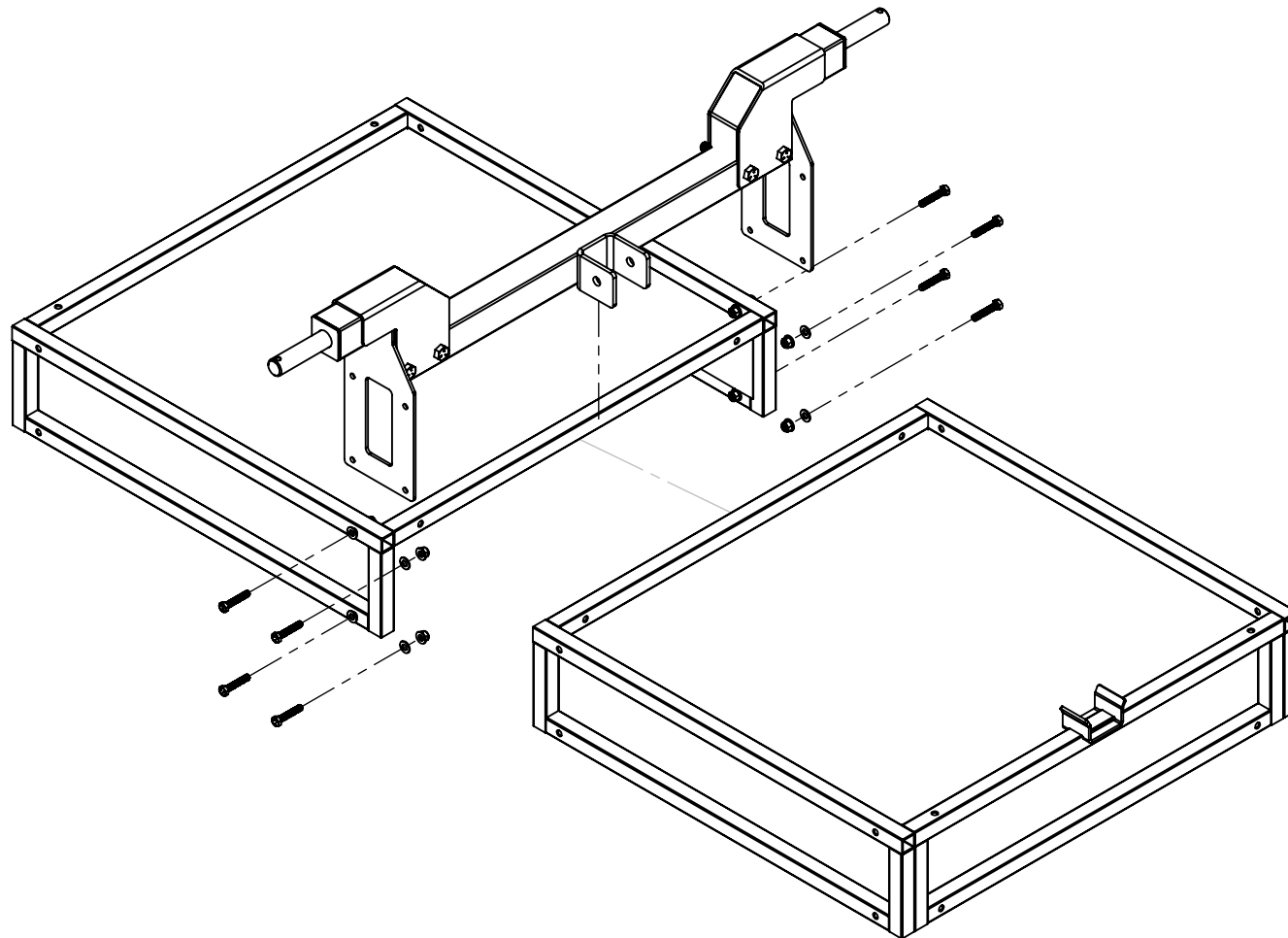
Note:

The top of the Axle Hitch Mount should be installed flush to the bottom of the trailer.

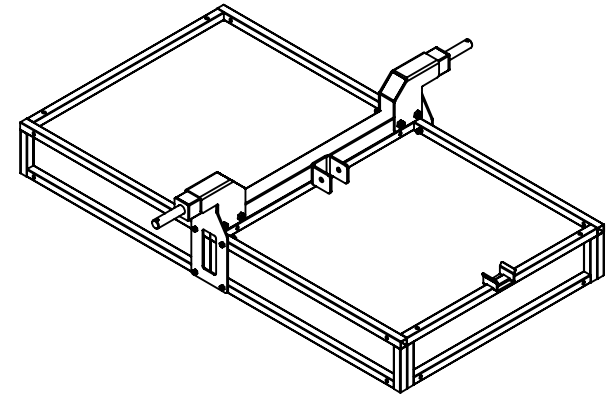


STEP 3 - Connect Trailer Halves To Axle Assembly

- Gather the following parts:
 - Axle Assembly from STEP 2
 - Trailer Front Frame (1x)
 - Trailer Back Frame (1x)
 - 5/16 Hardware (8x)



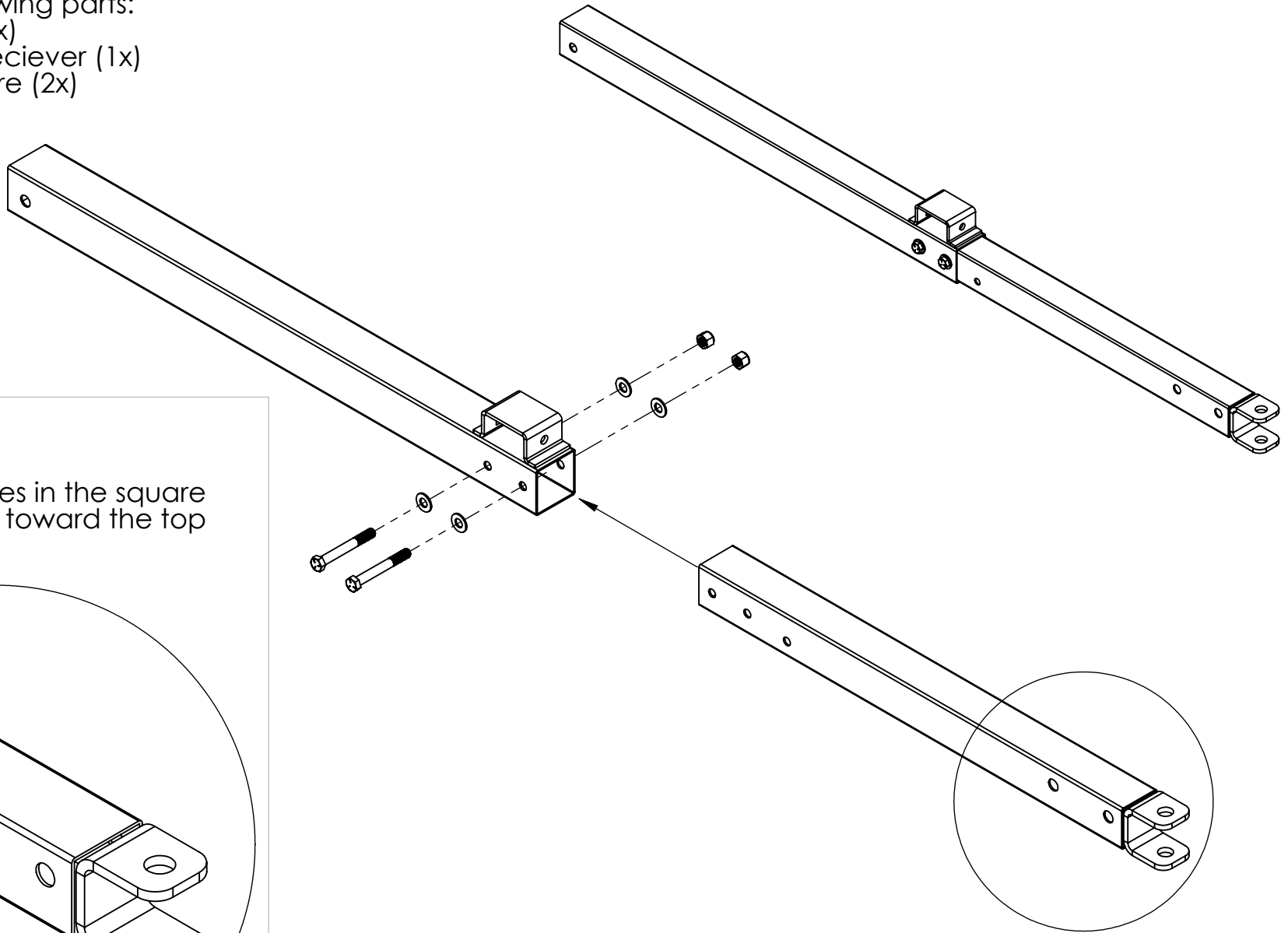
Assembled View



STEP 4 - Assemble Hitch Tube

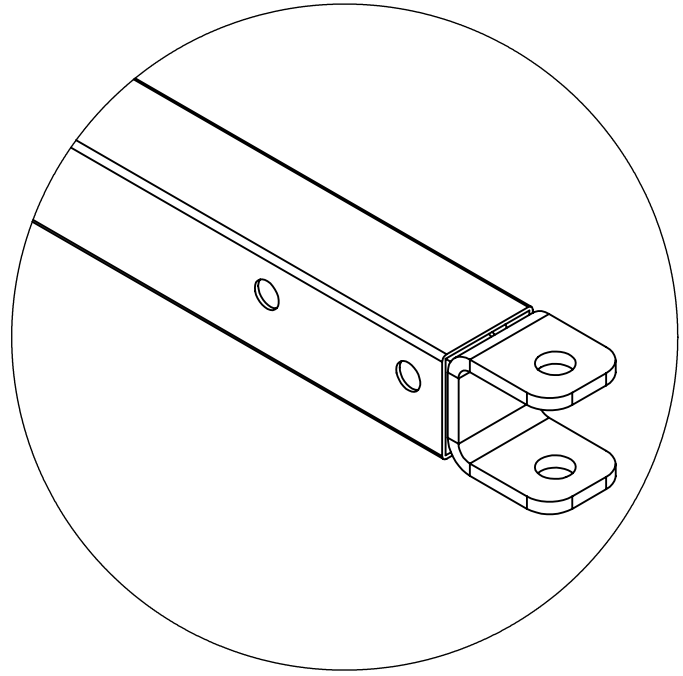
- Gather the following parts:
 - Hitch Arm (1x)
 - Hitch Arm Receiver (1x)
 - 3/8" Hardware (2x)

Assembled View



Note:

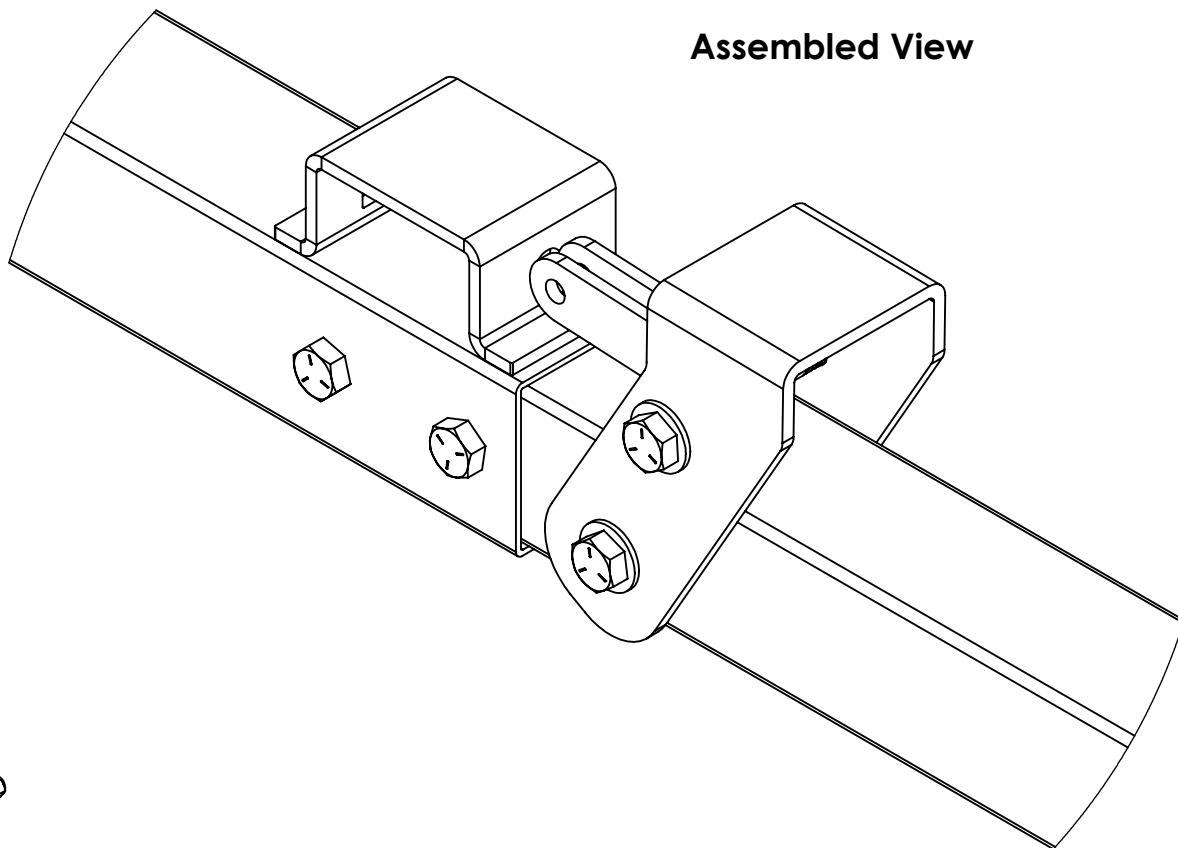
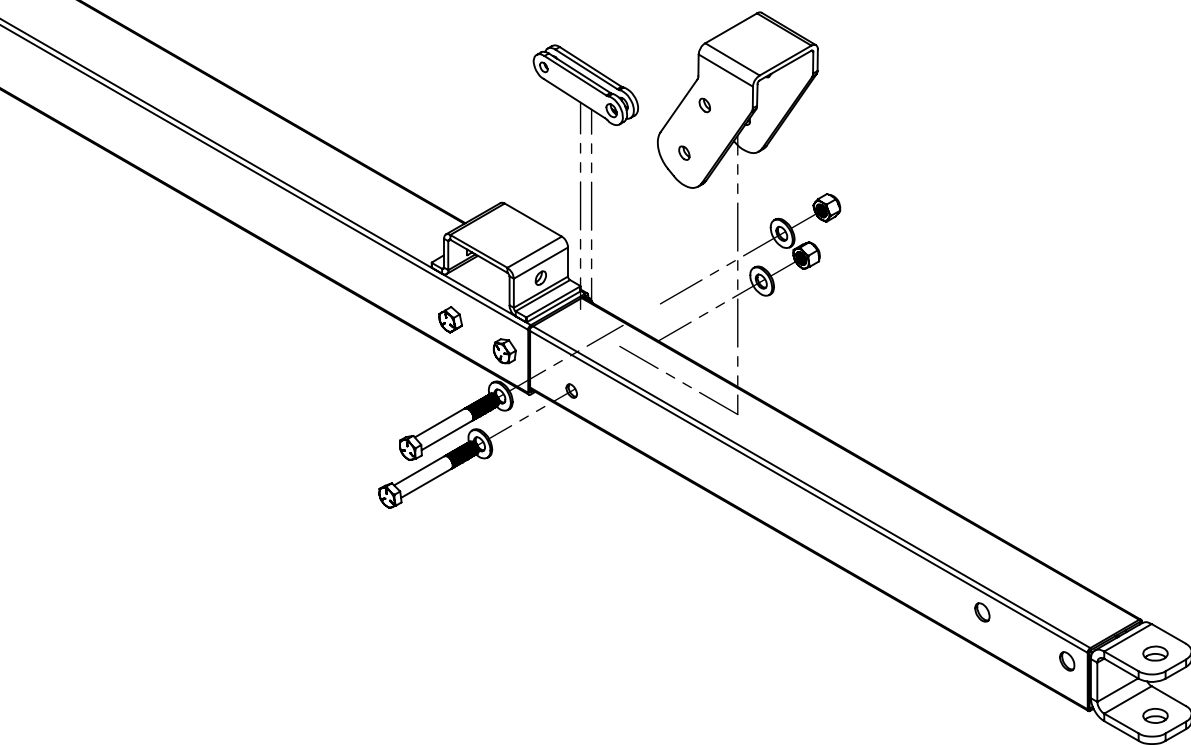
Verify that the holes in the square tube are oriented toward the top of the Hitch Arm



STEP 5 - Assemble The Foot Latch Release

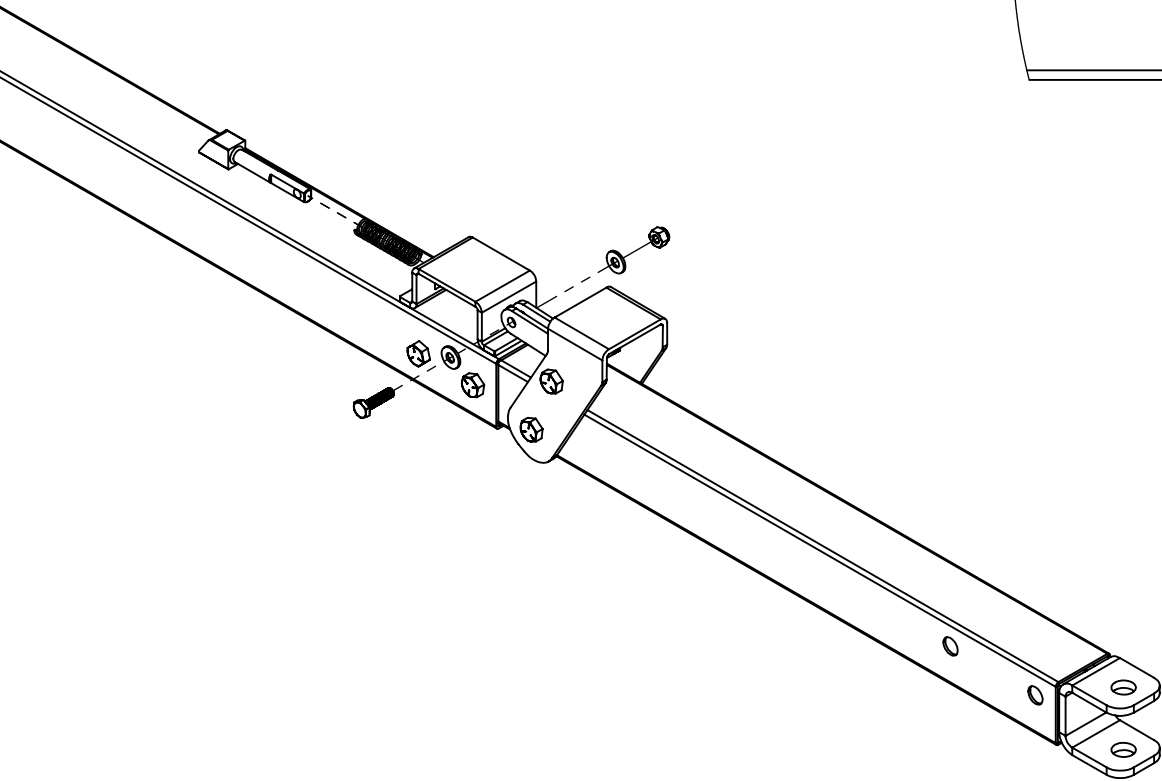
- Gather the following parts:
 - Hitch Tube Assembly from STEP 4
 - Foot Latch Release (1x)
 - 3/8" Hardware (2x)
 - Latch Link (2x)

Assembled View

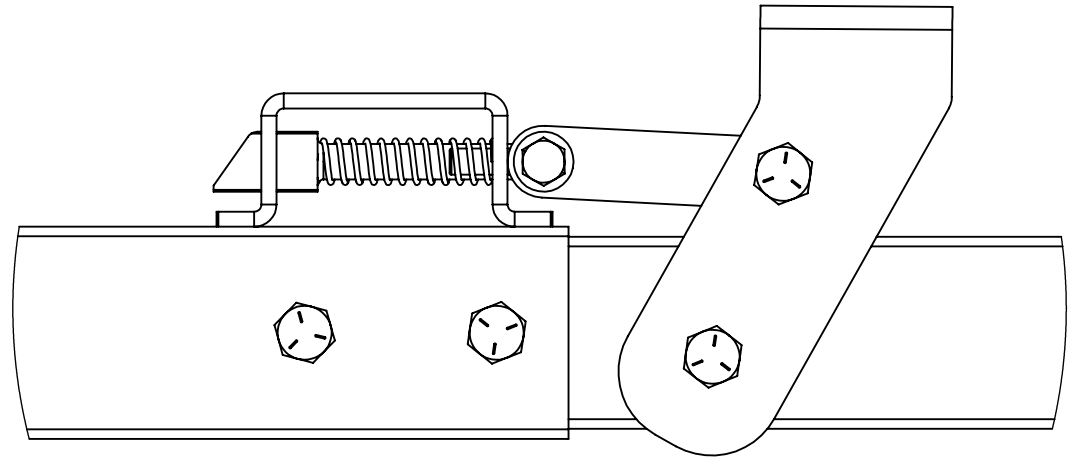


STEP 6 - Assemble Latch

- Gather the following parts:
 - Hitch Tube from STEP 5
 - Latch (1x)
 - 1/4" Hardware (1x)
 - Compression Spring (1x)



Assembled View

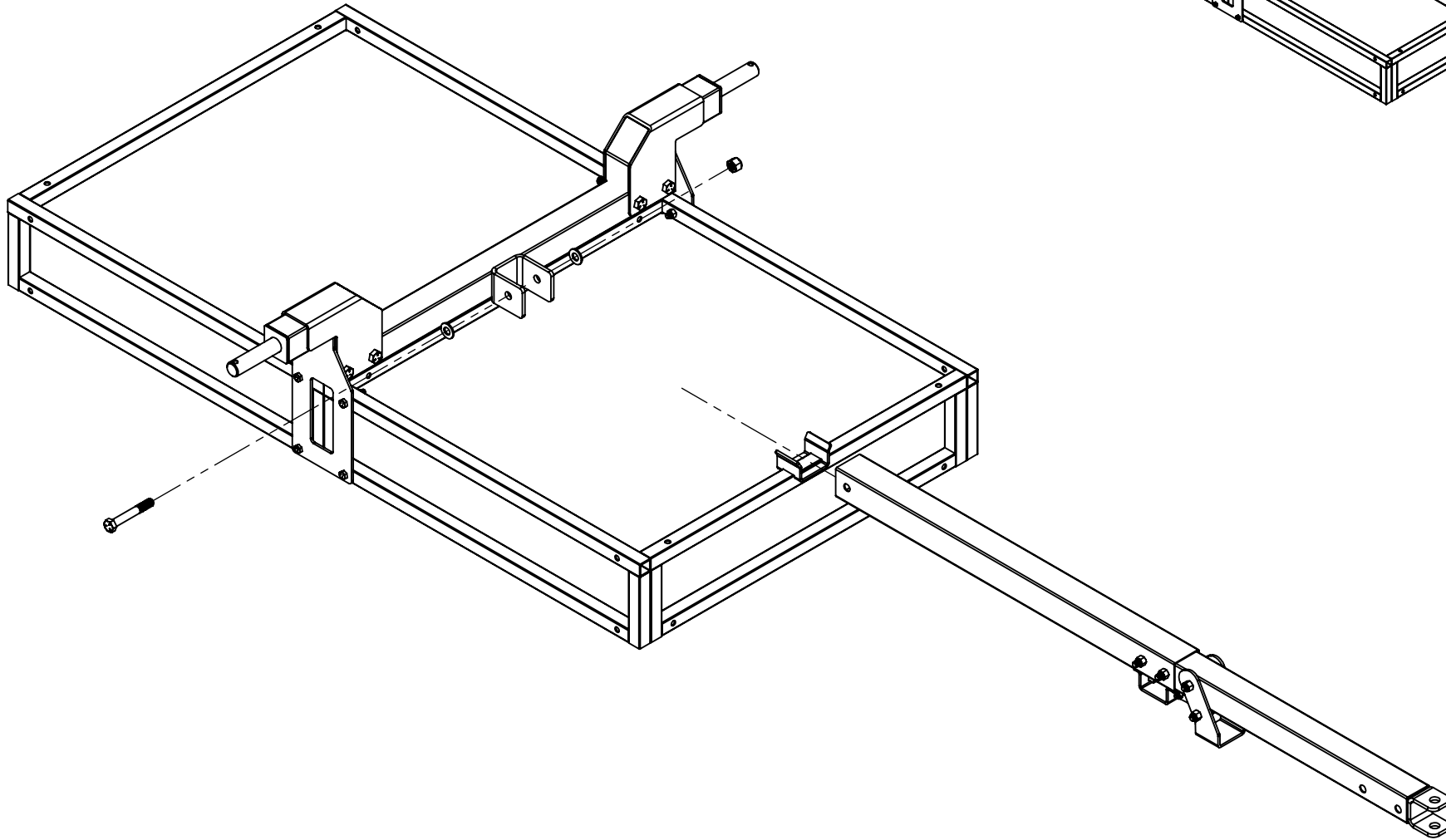


Note:

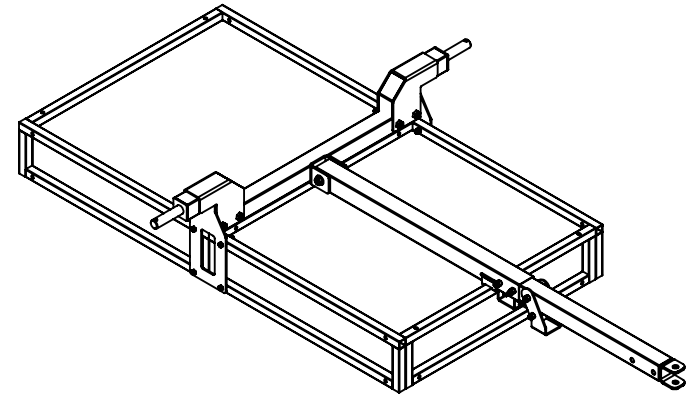
Tighten only until the latch is secure but can still move freely

STEP 7 - Connect Hitch Tube Assembly To Trailer Body

- Gather the following parts:
 - Hitch Tube Assembly from STEP 6
 - Trailer Body from STEP 3
 - 1/2" Hardware (1x)

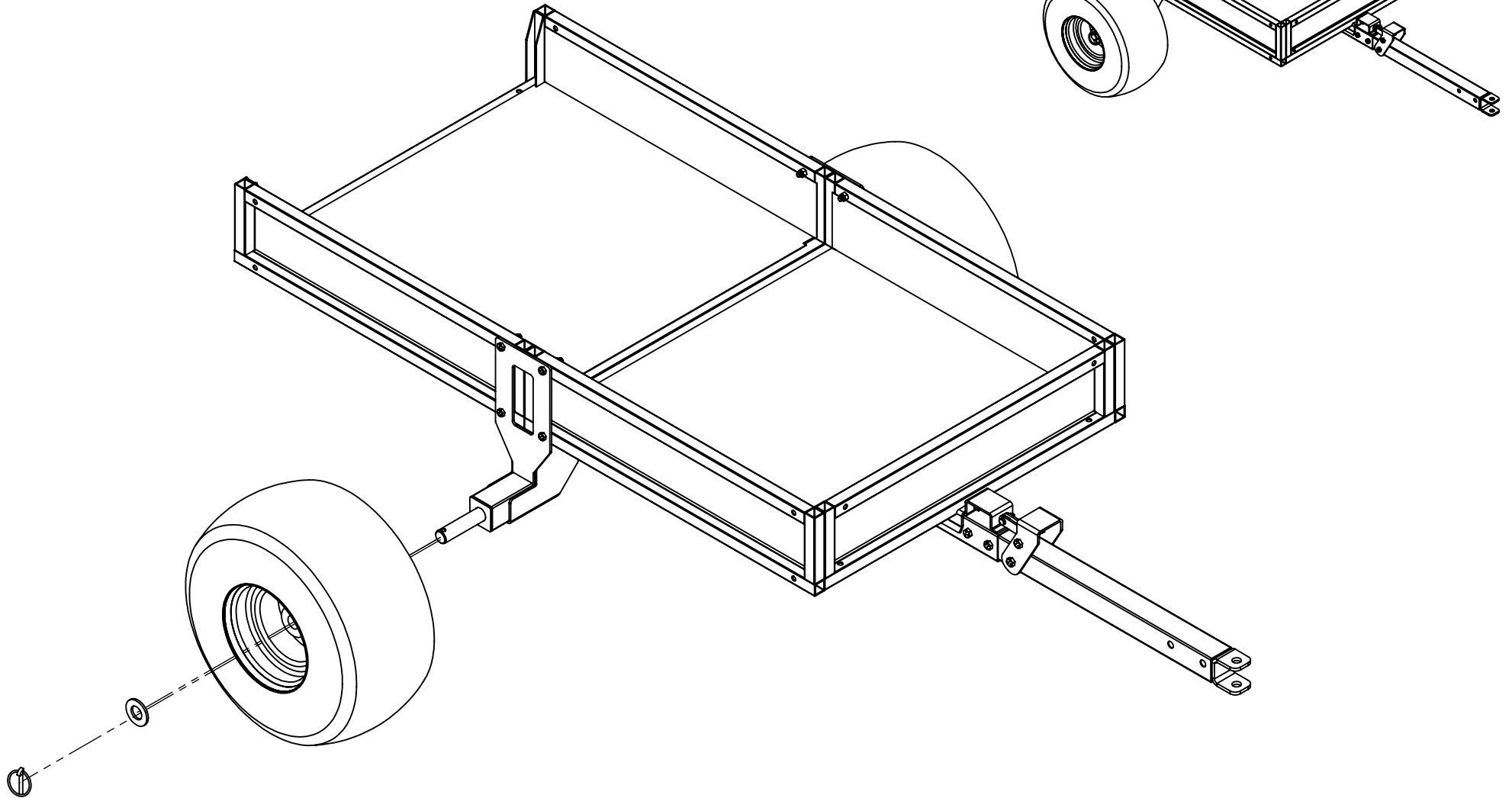


Assembled View



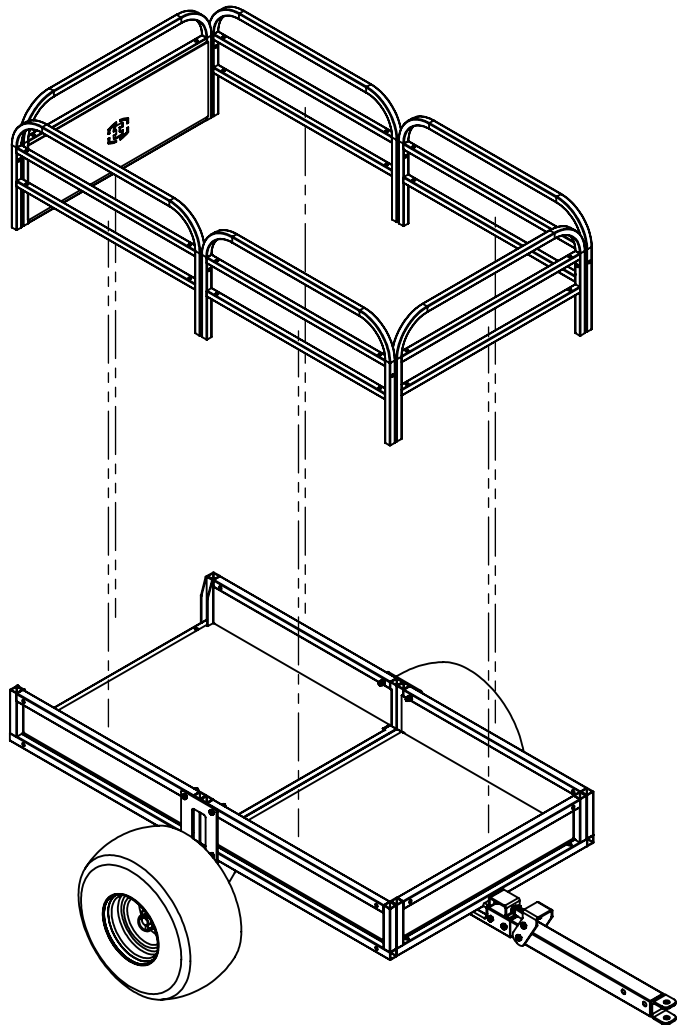
STEP 8 - Attach Wheels

- Gather the following parts:
 - Trailer Assembly from STEP 7
 - Tire (2x)
 - Wheel Washer (2x)
 - Lynch Pin (2x)

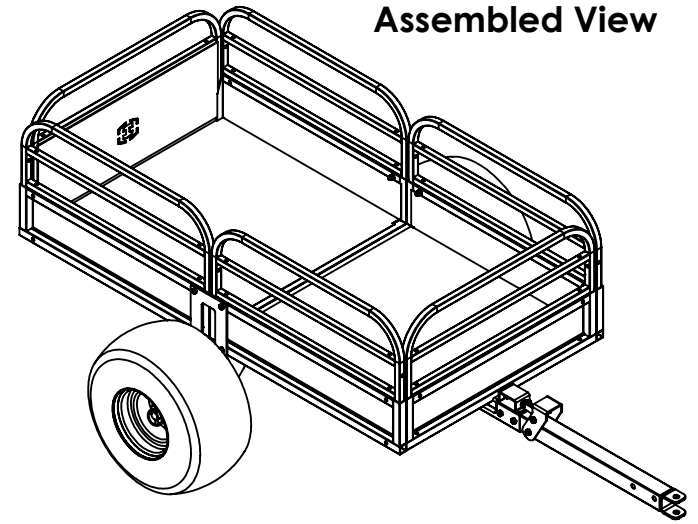


STEP 9 - Attach Rails

- Gather the following parts:
 - Trailer Assembly from STEP 8
 - Side Rail (5x)
 - Back Gate (1x)

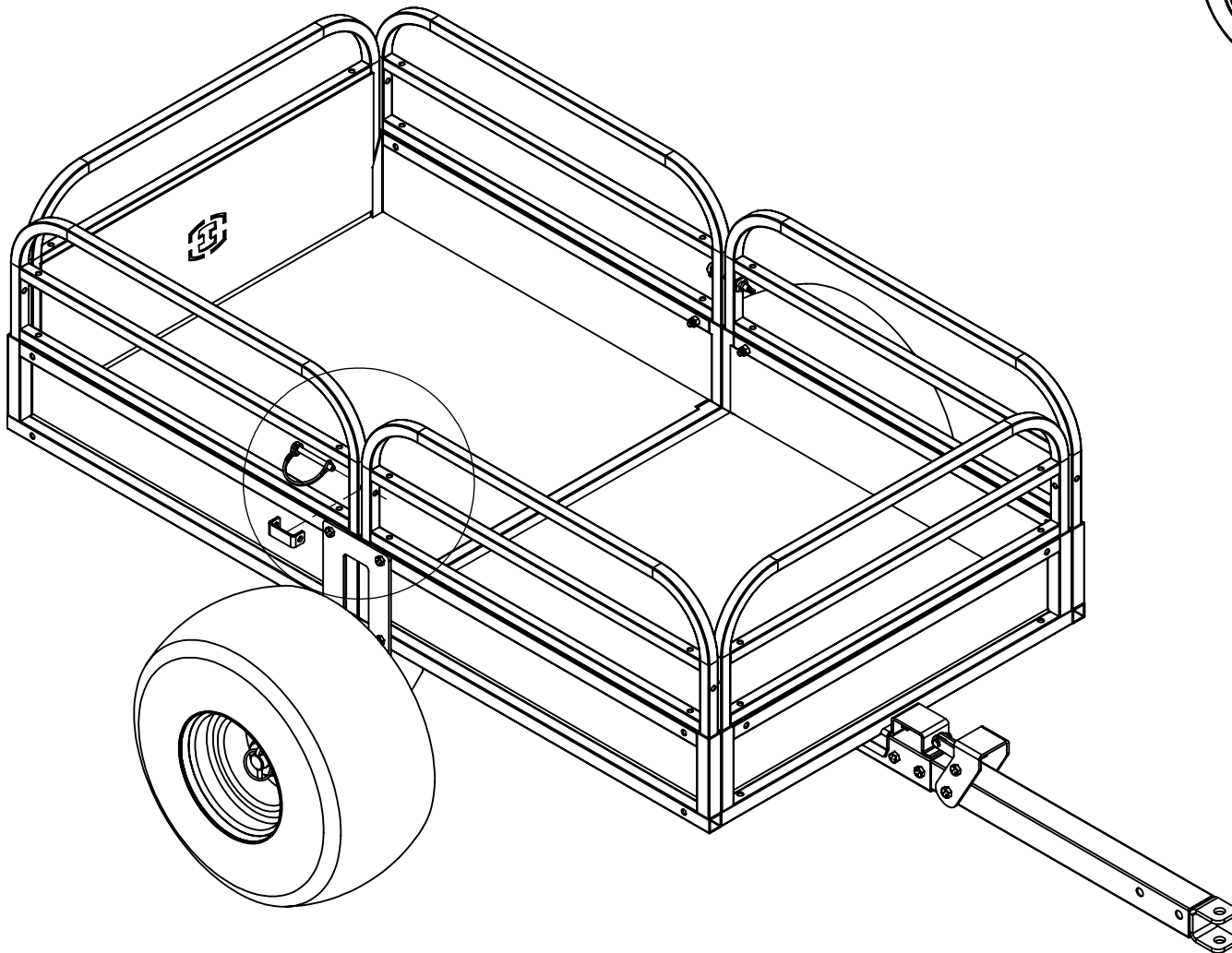


Assembled View

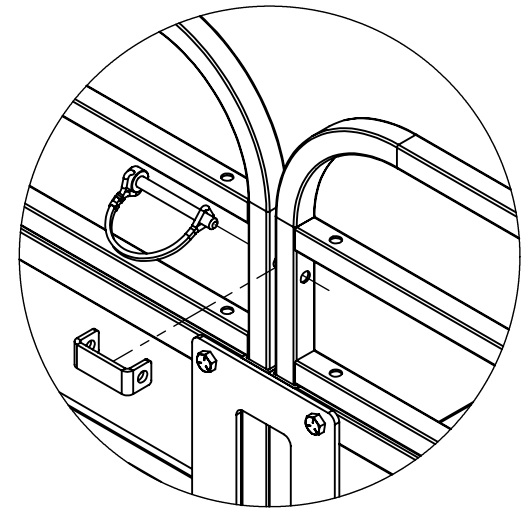
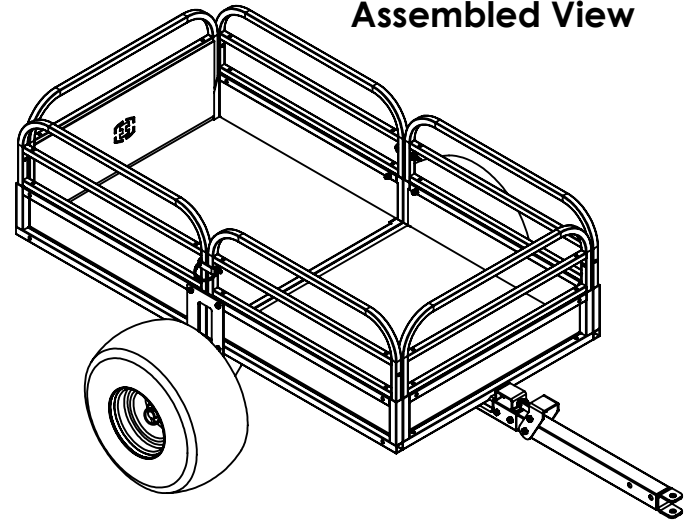


STEP 10 - Attach Side Panel Brackets

- Gather the following parts:
 - Trailer Assembly from STEP 9
 - Large Locking Pin (2x)
 - Side Panel Bracket (2x)

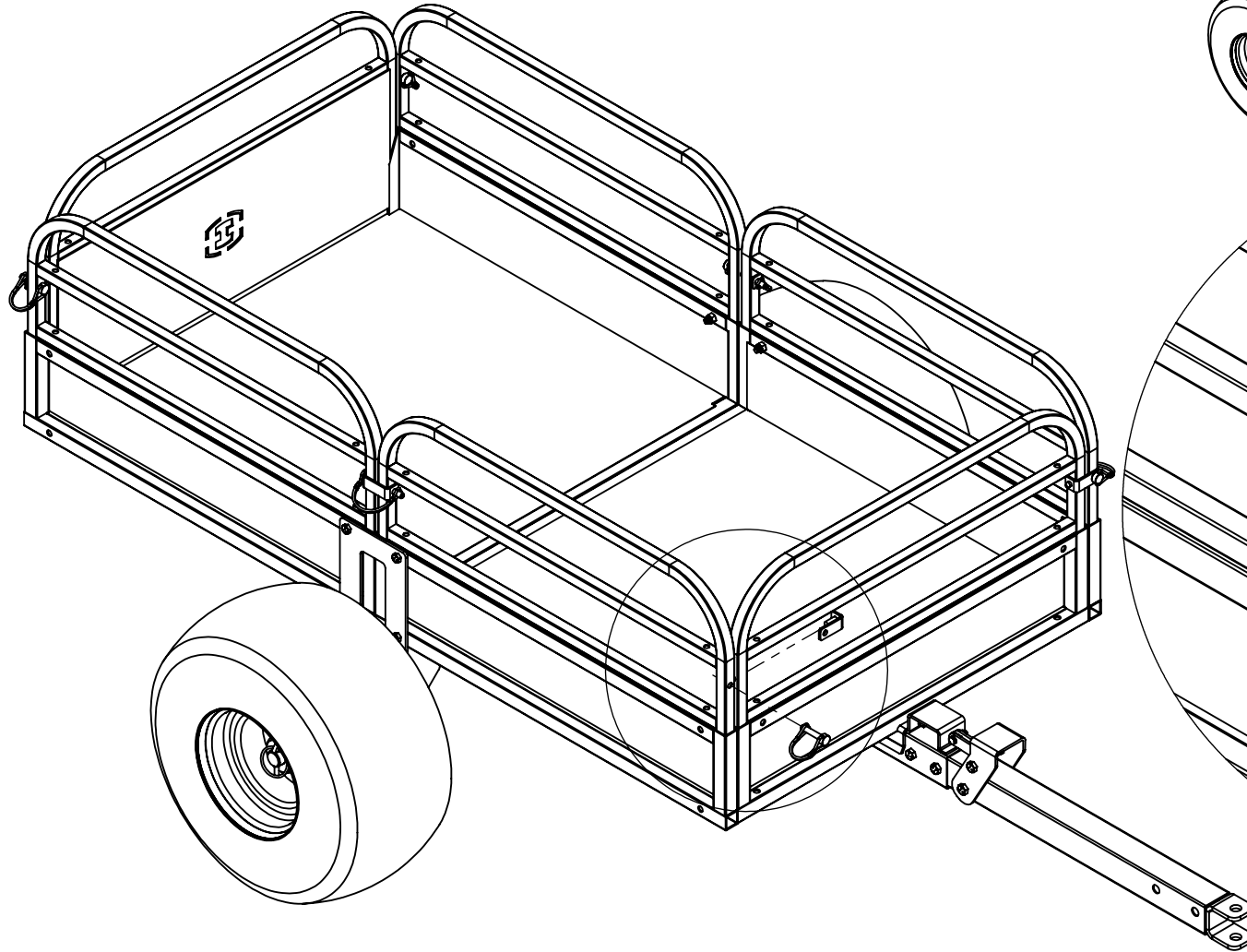


Assembled View



STEP 11 - Secure Side Panels

- Gather the following parts:
 - Trailer Assembly from STEP 10
 - Panel Retainer (4x)
 - Small Locking Pin (4x)



Assembled View

