



DENALI Plow Mount MA11722 Yamaha YXZ

Thank you for purchasing our DENALI plow mount. You now own a premium custom plow mount to allow you to use your plow with your SxS. Please note the following instructions and heed all warnings.

- **Your UTV/SxS and/or plow system can cause death or injury, please use caution and common sense when operating your unit.**
- **Read your Plow Operator Manual, your Winch Operator Manual, and all warning labels before operating your UTV/SxS.**
- **Operate your UTV/SxS at a walking speed with the blade installed. Do not exceed 5 mph (8 km/h), even with the blade up.**
- **Do not operate the UTV/SxS on slopes greater than 10 degrees with the plow installed.**
- **Always lower the plow to the down position before leaving your UTV/SxS unattended.**

SEVERE INJURY OR DEATH MAY RESULT IF YOU ARE NEGLIGENT.

Please verify that all hardware and parts are included in your package.

Kit Contents:

Item	Qty	Description
1	1	MA11722-W1 Plow Mount
2	1	MA11722-W2 Front Mount Strap
3	1	MA11722-W3 Back Mount Strap
4	2	5/16"-18 x 1.25" Serrated Flange Bolt
5	2	1/2" Flat Washer
6	2	1/2" Lock Washer
7	2	1/2"-13 x 1.50 Hex Head Bolt

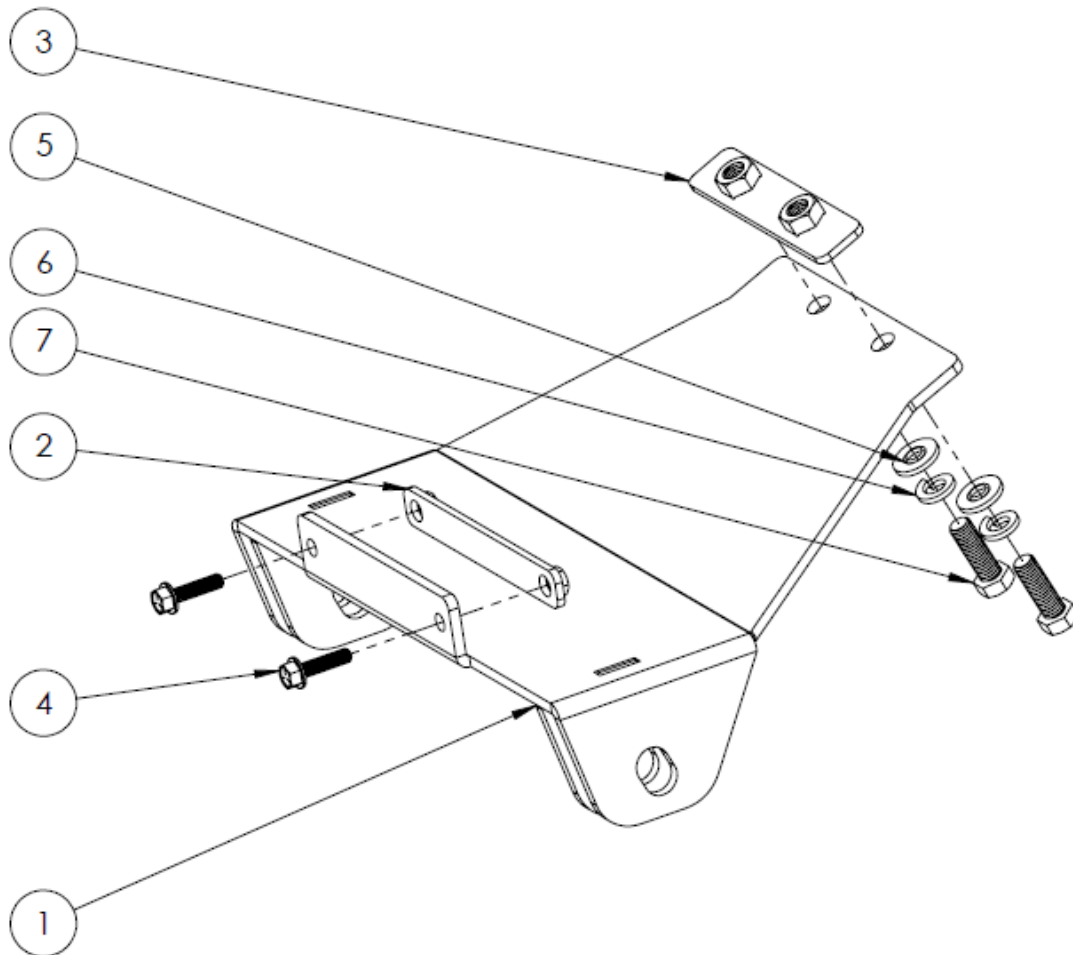


Figure 1



Yamaha YXZ Plow Mount Installation

1. Remove the front section of the bottom skid plate.
NOTE: This will remain off the vehicle while the plow mount is installed.

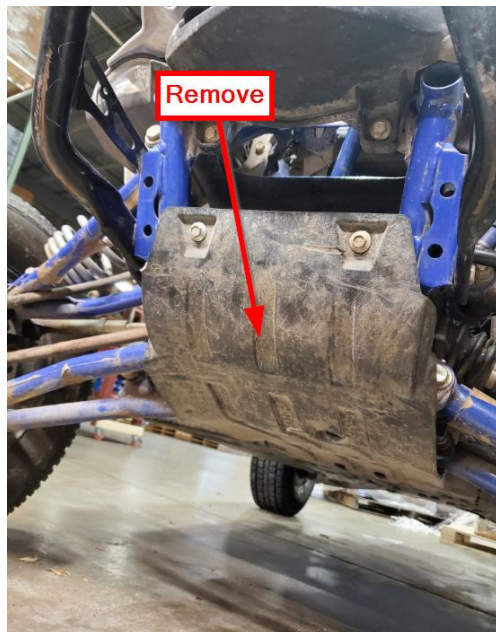


Figure 2

2. Lift the plow mount into place as shown in Figure 3 and Figure 5.



Figure 3



3. Set the front strap into place behind the cross support.
4. Install the 5/16" hardware but do not tighten at this time.
5. Set the back strap into place in top of the cross support as seen in Figure 4.



Figure 4

6. Install 1/2" hardware as seen in Figure 4 and Figure 5 but do not tighten at this time.

7. Verify that the mount is squared up with the machine and tighten down all hardware.



Figure 5

8. Use the pins supplied with your DENALI Plow System to attach the plow to the mount.
9. Retighten all hardware after the first use, continue to retighten hardware seasonally.