



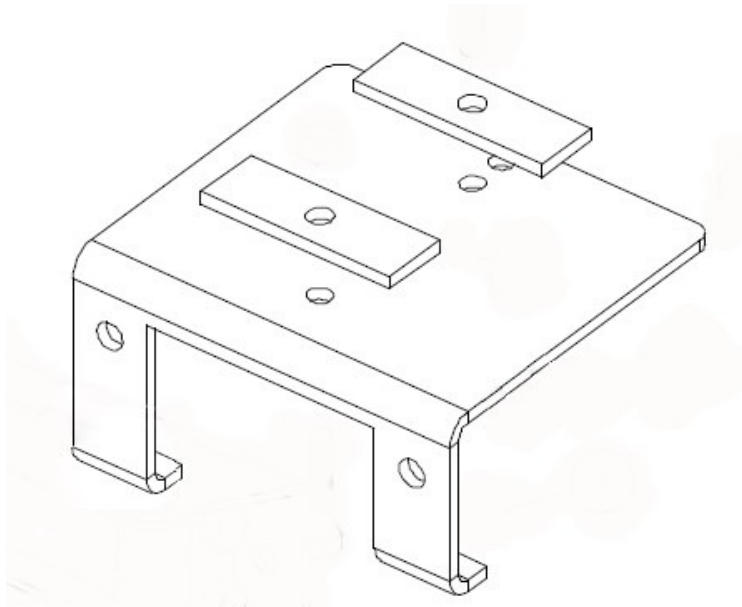
**BOMBARDIER TRAXTER/QUEST
WINCH MOUNT INSTALL
MA11941**
for
**1999-2005 Traxter (all models except Rotax)
2003 Quest 500**

MOUNTING INSTRUCTIONS

***All directions referring to right and left are when the rider is sitting on the ATV

For Viper, Superwinch, Cycle Country and other 2-bolt winches, use the two 5/16" x 1" bolts & nylock nuts to mount the winch to winch plate. Tighten. Be sure when mounting, the winch motor is to the left side.

For Warn and Ramsey winches, use the four 5/16" x 3/4" bolts provided to mount the winch to the 4-bolt pattern in the center of the mount plate. Your motor should be on the right side of the vehicle.



INSTALLATION INSTRUCTIONS

1. Remove front grill.
2. Before attaching winch to mount plate, insert mount plate behind bumper & position bolt through a support plate & first mount plate hole, securing tightly with a Nylock nut. (The bolt should be coming up from underneath the mount plate with nut on top of the support plate.)
3. Use hole in support plate as template for hole in plastic storage bin. Drill 5”/16” hole.
4. Remove mount plate. Attach winch to mount plate & reattach using both bolts & support plates. Bolt in front should come up from bottom, bolt in the storage bin should go in from the top, with support plate inside the storage bin as well.
5. Check that all hardware is secure.
6. Reattach front grill.

HARDWARE FOR WINCH MOUNT KIT

NO.	QTY	DESCRIPTION
1	1	Winch Mount Plate
2	2	Mount Support Plates
3	2	5/16" x 1-1/2" Bolts
4	2	5/16" Nylock nuts